

# **TRANSIT POLICE**



**GRAFFITI and VANDALISM**

# **DAMAGE COST ESTIMATE GUIDEBOOK**

**LOS ANGELES COUNTY METROPOLITAN  
TRANSPORTATION AUTHORITY**



THE GREAT EASTERN

THE GREAT EASTERN

THE GREAT EASTERN

THE GREAT EASTERN



GRAFFITI and VANDALISM  
GUIDEBOOK  
**DAMAGE COST ESTIMATE**

---

## INTRODUCTION

January 1994

This "Guidebook" has been developed as a reference in preparing statements of cost to repair MTA buses resulting from damage caused by graffiti and vandalism. This guide is composed of sections including "Instructions", "Worksheet" and "Bus Illustrations". Each Bus Illustration is in a specific Section for each MTA Bus Series. Each Bus Illustration has parts identified with individual "Part Reference Numbers" for parts commonly damaged by vandalism and graffiti.

The MTA labor rate and material costs used in this guide shall be reviewed periodically for accuracy. Guidebooks shall be dated and reissued as needed.

**The current MTA labor rate is \$36.92 per hour.**

Questions concerning the contents or use of this Guidebook shall be directed to Mr. Antonio Chavira, Chairman of the Zero Tolerance Graffiti Task Force.



17991 HV  
7431  
.L667  
G42  
c.2

JUN 23 '94

**MTA LIBRARY**



GRAFFITI and VANDALISM  
GUIDEBOOK  
**DAMAGE COST ESTIMATE**

---

**CONTENTS**

January 1994

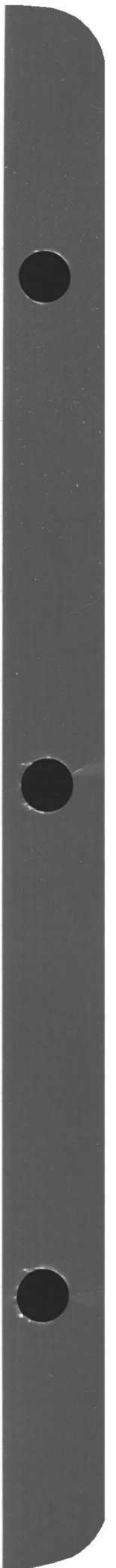
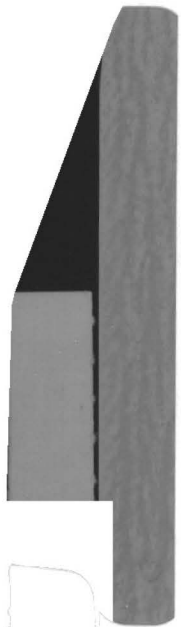
SECTION

---

<b>INSTRUCTIONS</b>		<b>1</b>
<b>WORKSHEET</b>		<b>2</b>
BUS SERIES	BUS TYPE	
<b>1100 - 1189</b>	<b>NEOPLAN</b>	<b>3</b>
<b>1200 - 1503</b>	<b>TMC / RTS</b>	<b>4</b>
<b>18, 25, 27, 28, 2900</b>	<b>FLXIBLE</b>	<b>5</b>
<b>19, 20, 23, 2400</b>	<b>TMC / RTS</b>	<b>6</b>
<b>3300 - 3714</b>	<b>NEOPLAN</b>	<b>7</b>
<b>4400 - 4434</b>	<b>GMC / RTS</b>	<b>8</b>
<b>8200 - 9139</b>	<b>GMC / RTS</b>	<b>9</b>









# GRAFFITI and VANDALISM GUIDEBOOK DAMAGE COST ESTIMATE

---

## INSTRUCTIONS

January 1994

Use the "Worksheet" to calculate the Total Charge.

### PART I, GRAFFITI REMOVAL CHARGE

**Line 1, BASE CHARGE-** fixed cost of \$35.00 (\$10.00 for miscellaneous materials and \$25.00 for 10% prorated one day bus-out-of-service).

**Line 2, LABOR AND DEGRADATION CHARGE-** This charge accounts for the labor to remove graffiti and a 10% incremental degradation which occurs as a result of the graffiti. The cost is figured by counting the number of areas of graffiti. For clarification there are eight five foot wide "area's" along the side of the bus and one "area" at each end.

**Line 2a, Painted and Finished Surfaces-** requires counting the number of areas with graffiti and multiplying by \$50.00 per area.

**Line 2b, Passenger Side Windows-** requires looking up the cost of the window(s) and multiplying the window cost by the number of windows times .10 (1/10).

**Line 3, TOTAL-** Add Lines 1,2a and 2b for PART I Total.

**PART II, DAMAGE REPAIR** Part II Requires an assessment of parts damaged by vandalism. Refer to the appropriate section in the "Guide Book" for reference diagrams of the specific bus type. Vandalized item such as; cracked windshields, broken mirrors, and etched passenger windows, etc..., are listed with a replacement cost.

1. **Line 4-, ETCHING CHARGE** - Requires counting the number of occurrences of etching, each occurrence is defined as etching on any one individual part. Multiply the number of occurrences by \$50.00.
2. **Line 5, PART REPLACEMENT LISTING** - Requires listing all parts that require replacement, quantity and replacement cost. Use the appropriate section in the "Guide Book" for reference diagrams and parts listing.
3. **Line 11, TOTAL FROM REVERSE SIDE** - Is the total from the items from additional space provided on the reverse side if necessary.
4. **Line 12, Add lines 7-12 for PART II total.**

**PART III, Total Charge** Add PART I and PART II together.









[A white rectangular label with illegible text or markings.]





**GRAFFITI and VANDALISM  
GUIDEBOOK  
DAMAGE COST ESTIMATE**

SUBJECT \_\_\_\_\_ BUS NUMBER \_\_\_\_\_ DR NO. \_\_\_\_\_  
 OFFICER \_\_\_\_\_ CHARGE \_\_\_\_\_  
 BADGE NO. \_\_\_\_\_ DATE \_\_\_\_\_

January 1994

**I GRAFFITI REMOVAL** (Spray Paint, Markers, etc.)

1. BASE CHARGE \$ 35.00

2. LABOR AND DEGRADATION CHARGE (Interior / Exterior)

a. All Surfaces \_\_\_\_\_ Areas (5ft.) X \$50.00 / area = \$ \_\_\_\_\_

b. Passenger Windows Window Cost \$ \_\_\_\_\_ X \_\_\_\_\_ (windows) X .10 = \$ \_\_\_\_\_

3. TOTAL GRAFFITI REMOVAL CHARGE (1 + 2a + 2b) = \$ \_\_\_\_\_

**II DAMAGE REPAIR**

4. ETCHING CHARGE All Surfaces (except windows) \_\_\_\_\_ Occurrence(s) X \$50.00 = \$ \_\_\_\_\_

5. PART REPLACEMENT LISTING (Broken Parts, Glass Breakage/Etching)

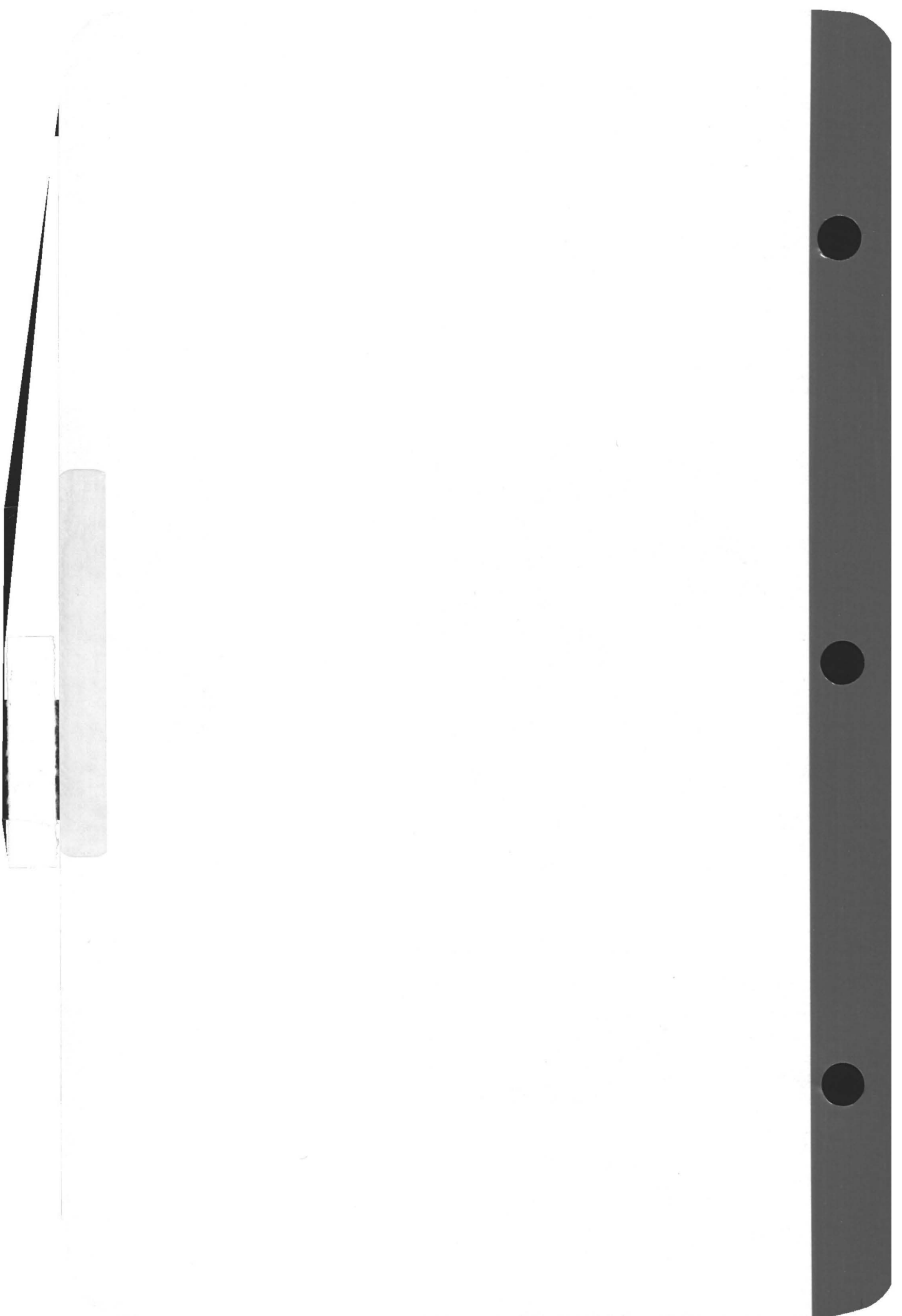
ITEM	COMPONENT	QTY	REPLACEMENT COST EACH	TOTAL COST
6.	_____	_____	\$ _____	\$ _____
7.	_____	_____	\$ _____	\$ _____
8.	_____	_____	\$ _____	\$ _____
9.	_____	_____	\$ _____	\$ _____
10.	_____	_____	\$ _____	\$ _____
11.	TOTAL FROM REVERSE SIDE			\$ _____

12 TOTAL PART REPLACEMENT CHARGE (add 6 thru 11) = \$ \_\_\_\_\_

**III TOTAL CHARGE** (Add Lines 3,4 and 12) \$ \_\_\_\_\_









GRAFFITI and VANDALISM  
GUIDEBOOK  
**DAMAGE COST ESTIMATE**

---

**SECTION 3**

January 1994

**NEOPLAN  
1100 THROUGH 1189**

---

**EXTERIOR DRAWINGS**

FRONT

REAR

CURBSIDE

STREETSIDE

**PARTS LISTING**

EXTERIOR





# PARTS LISTING

## NEOPLAN 1100 SERIES

LABOR RATE: \$36.92

MATERIAL SURCHARGE: 25%

11/08/93

REF NO.	DESCRIPTION	MTA PART NUMBER	TOTAL COST \$	LABOR HOUR	MATERIAL COST \$
1	WINDOW - DESTINATION SIGN, FRT	0210400574	\$141.50	1.0	\$83.66
2	WINDSHIELD - CURB SIDE	0210400026	\$176.01	1.5	\$96.50
3	WINDSHIELD - STREET SIDE	0210400027	\$176.01	1.5	\$96.50
4	WINDOW - STATIONARY, C/S	0210400324	\$468.41	3.0	\$286.12
5	WINDOW - ENTRANCE DOOR UPPER	0210400578	\$104.42	1.0	\$54.00
6	WINDOW - ENTRANCE DOOR LOWE	0210400576	\$87.15	1.0	\$40.18
7	WINDOW - SLIDDER, EMERG.	0210400322	\$583.56	1.0	\$437.31
8	WINDOW - SLIDDER, NON-EMERG.	0201400323	\$189.42	1.0	\$122.00
9	WINDOW - SLIDDER, EMERG.	0210400815	\$545.35	1.0	\$406.74
10	WINDOW ASSY, OPERATORS	0210400580	\$936.34	2.0	\$690.00
11	WINDOW - STATIONARY, S/S	0210400319	\$453.97	3.0	\$274.57
12	WINDOW - SLIDDER, EMERG.	0210400320	\$567.63	1.0	\$424.57
13	WINDOW - SLIDDER, NON-EMERG.	0210400321	\$567.63	1.0	\$424.57
14	DOOR ASSY - ACCESS, TOP	0210400627	\$348.71	0.5	\$264.20
15	DOOR ASSY - ACCESS, LOWER	0210400298	\$78.27	0.5	\$47.85
16	LAMP - DIRECTIONAL, AMBER	0210900187	\$35.80	0.5	\$13.87
17	LAMP - HEAD C/S OUTER	0210900188	\$28.09	0.5	\$7.70
18	LAMP - HEAD S/S OUTER	0210900191	\$28.09	0.5	\$7.70
19	LAMP - HEAD C/S INNER	0210900189	\$28.09	0.5	\$7.70
20	LAMP - HEAD S/S INNER	0210900192	\$28.09	0.5	\$7.70
21	BUMPER - COMPLETE	0200400070	\$1,018.72	2.0	\$755.90
22	BUMPER - SHEET	0210400506	\$77.13	1.5	\$17.40
23	BEZEL - HEADLAMP	0210400299	\$49.71	0.5	\$25.00
24	ARM, WIPER	0210400004	\$144.17	1.0	\$85.80
25	BLADE, WIPER	0030406100	\$41.01	0.5	\$18.04
26	FENDER - WHEELHOUSE	0210400017	\$229.28	2.0	\$124.35
27	DOOR - FUEL	0210400184	\$73.96	0.5	\$44.40
28	DOOR - BATTERY	0210400038	\$251.34	2.0	\$142.00



# PARTS LISTING

## NEOPLAN 1100 SERIES

LABOR RATE: \$36.92

11/08/93

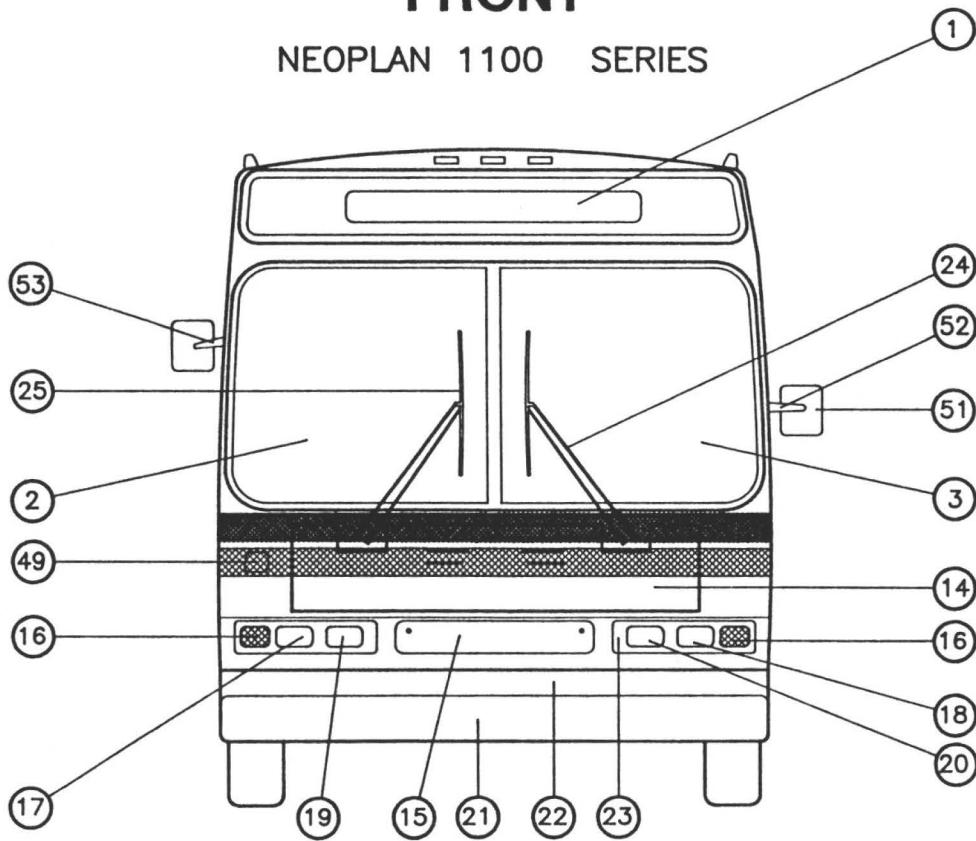
MATERIAL SURCHARGE: 25%

REF NO.	DESCRIPTION	MTA PART NUMBER	TOTAL COST \$	LABOR HOUR	MATERIAL COST \$
29	DOOR - "J" BOX	0210400185	\$150.34	2.0	\$61.20
30	DOOR - RADIO	0210400401	\$179.47	2.0	\$84.50
31	DOOR - ENGINE	0210400619	\$1,202.77	6.0	\$785.00
32	LAMP - DIRECTIONAL, AMBER	0210913427	\$23.85	0.5	\$4.31
33	LAMP - RED, STOP, TAIL	0210913429	\$22.76	0.5	\$3.44
34	LAMP - CLEAR, BACK UP	0210913428	\$24.32	0.5	\$4.69
35	DOOR - ACCESS	0210400184	\$73.96	0.5	\$44.40
36	DOOR - OIL CHECK	0210400731	\$73.40	0.5	\$43.95
37	BUMPER - S/S	0210400218	\$94.86	1.0	\$46.35
38	BUMPER - CENTER	0210400219	\$175.76	3.0	\$52.00
39	BUMPER - C/S	0210400220	\$94.86	1.0	\$46.35
40	BUMPER - COMPLETE	0210400022	\$971.00	2.5	\$702.96
41	DOOR, TRANSMISSION	0210400621	\$418.84	2.0	\$276.00
42	DOOR, RADIATOR	0210400620	\$341.97	2.0	\$214.50
43	DOOR ASSY - A/C COMPT.	0210400045	\$733.62	3.0	\$498.29
44	DOOR - A/C, LOUVER	0210400675	\$221.92	1.0	\$148.00
45	DOOR - SURGE TANK	0210400184	\$73.96	0.5	\$44.40
46	PANEL - SKIRTING	0210400589	\$155.04	2.0	\$64.96
47	PANEL - SKIRT, FUEL DOOR	0210400036	\$123.53	2.0	\$39.75
48	DOOR - AIR CLEANER	0210400676	\$123.36	1.0	\$69.15
49	DOOR - WASHER FILL	0210400184	\$73.96	0.5	\$44.40
50	PANEL - EXHAUST VENT	0210400768	\$193.80	1.0	\$125.50
51	MIRROR - OUTSIDE	0020409600	\$43.25	0.5	\$19.83
52	MIRROR - ARM ASM, S/S	0020400015	\$35.34	0.5	\$13.50
53	MIRROR - ARM ASM, C/S	0210400015	\$35.34	0.5	\$13.50
54	RUB RAIL - SIDE	0210400012	\$350.13	1.5	\$235.80
55	RUB RAIL - REAR	0210400405	\$97.46	0.5	\$63.20
56	FENDER - WHEELHOUSE	0210400633	\$156.66	2.5	\$51.49



# FRONT

NEOPLAN 1100 SERIES

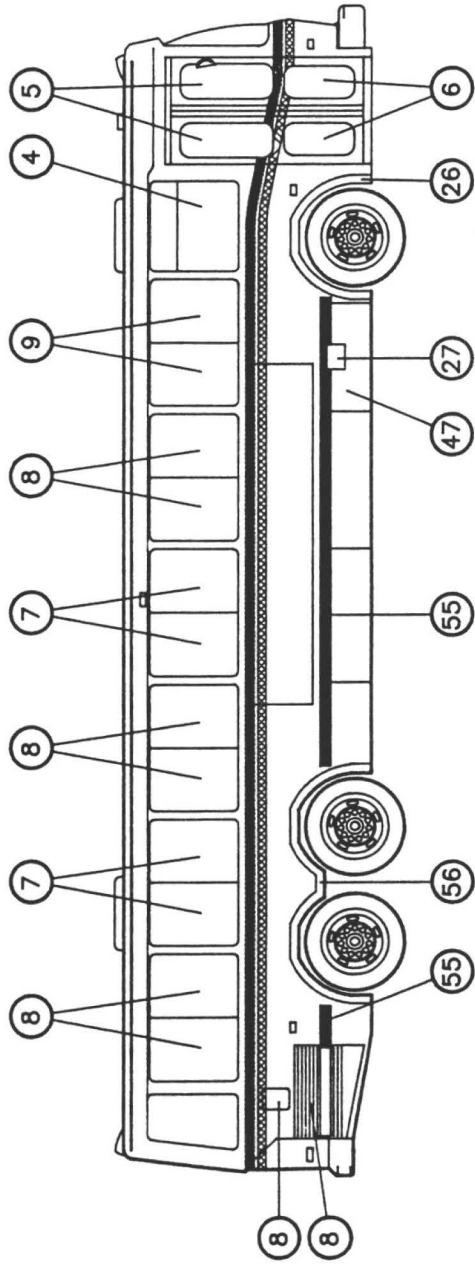






# CURB SIDE

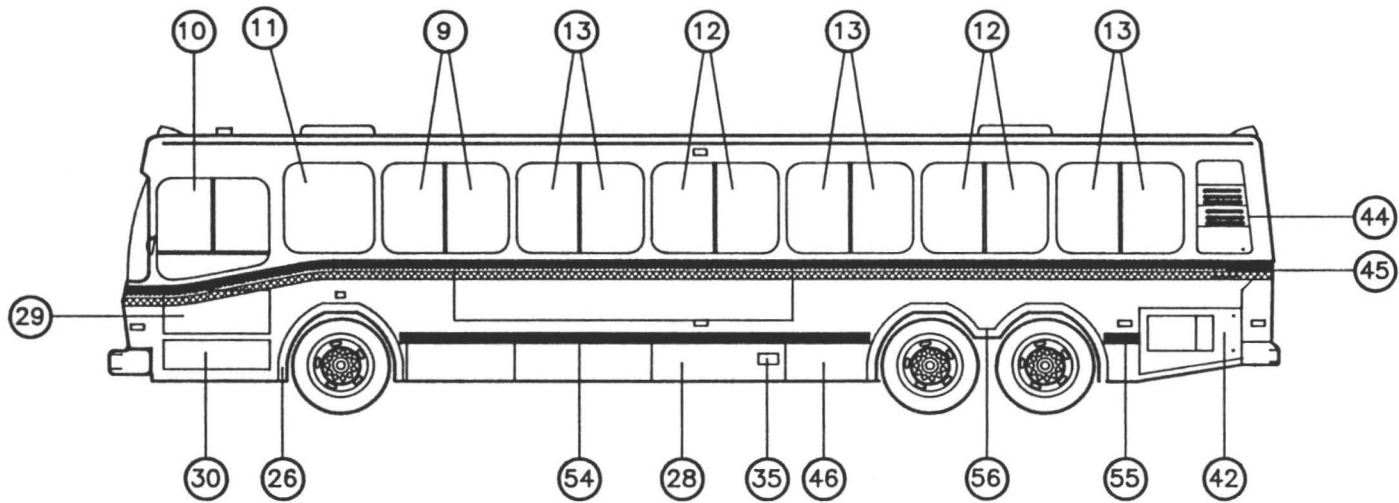
NEOPLAN 1100 SERIES





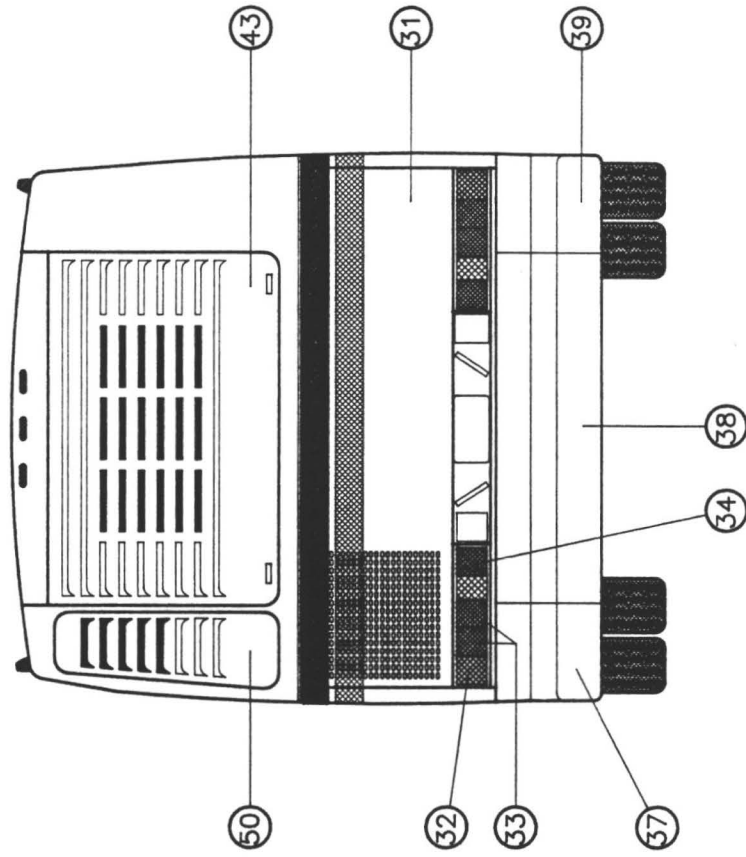
# STREET SIDE

NEOPLAN 1100 SERIES





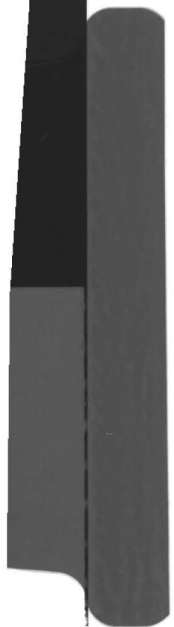
**REAR**  
NEOPLAN 1100 SERIES













GRAFFITI and VANDALISM  
GUIDEBOOK  
**DAMAGE COST ESTIMATE**

---

**SECTION 4**

January 1994

**TMC / RTS  
1200 THROUGH 1503**

---

**EXTERIOR DRAWINGS**

FRONT

REAR

CURBSIDE

STREETSIDE

**PARTS LISTING**

EXTERIOR



# PARTS LISTING

## TMC 12, 13, 14, 1500 SERIES

LABOR RATE: \$36.92

10/26/93

MATERIAL SURCHARGE: 25%

REF. NO.	DESCRIPTION	MTA PART NUMBER	TOTAL COST \$	LABOR HOUR	MATERIAL COST \$
1	WINDOW - DESTINATION SIGN, FRT	0312112234	\$125.97	1.0	\$71.24
2	WINDSHIELD - CURB SIDE	0312101640	\$148.84	2.0	\$60.00
3	WINDSHIELD - STREET SIDE	0312105400	\$148.84	2.0	\$60.00
4	WINDOW - QUARTER, FRONT	0312101670	\$35.91	0.5	\$13.96
5	WINDOW - #1 ENTRANCE DOOR	0312101680	\$61.04	1.0	\$19.30
6	WINDOW - #2 ENTRANCE DOOR	0312101690	\$63.14	1.0	\$20.98
7	WINDOW - #1&2 ENTRANCE DOOR	0312101700	\$23.46	0.5	\$4.00
8	WINDOW - #1&2 ENTRANCE DOOR	0312101710	\$28.95	0.5	\$8.39
9	WINDOW - SIDE SIGN	0020420925	\$163.03	2.0	\$71.35
10	WINDOW - SIDE, LOWER	0020420924	\$220.32	2.5	\$102.42
11	WINDOW - SIDE, TRANSOM	0020420925	\$126.11	1.0	\$71.35
12	WINDOW - #3&4 EXIT DOOR	0020420788	\$116.41	1.0	\$63.59
13	WINDOW - DRIVERS, STATIONARY	0020420642	\$148.72	1.0	\$89.44
14	WINDOW - DRIVERS, SLIDDER	0020420735	\$71.61	1.0	\$27.75
15	WINDOW - DRIVERS, STATIONARY	0020420734	\$65.98	1.0	\$23.25
16	WINDOW - DRIVERS, SLIDDER	0312101650	\$51.19	1.0	\$11.42
17	WINDOW - DRIVERS, STATIONARY	0312101660	\$53.31	1.0	\$13.11
18	PANEL, SIDE	0020420963	\$311.55	2.0	\$190.17
19	PANEL, SKIRT, RADIO COMPT.	0020420962	\$306.41	1.0	\$215.59
20	PANEL, SKIRT, MARKER LIGHT	0020420948	\$276.32	1.0	\$191.52
21	PANEL, SKIRT, COOLER COMPT.	0020420955	\$325.60	1.0	\$230.94
22	PANEL, SKIRT, BATTERY COMPT.	0020420961	\$421.08	1.0	\$307.33
23	PANEL, SKIRT, UPPER WHEELHOUS	0020421030	\$323.96	2.5	\$185.33
24	PANEL, LOWER EXTENSION, FRONT	0020421029	\$128.29	2.5	\$28.79
25	PANEL, LOWER EXTENSION, REAR	0020421032	\$109.83	2.0	\$28.79
26	PANEL, FILLER, LEFT FRONT	0020420947	\$115.11	2.5	\$18.25
27	PANEL, SKIRT, UPPER WHEELHOUS	0020421031	\$323.96	2.5	\$185.33
28	PANEL, LOWER EXTENSION, FRONT	0020421029	\$128.29	2.5	\$28.79



# PARTS LISTING

## TMC 12, 13, 14, 1500 SERIES

LABOR RATE: \$36.92

10/26/93

MATERIAL SURCHARGE: 25%

REF. NO.	DESCRIPTION	MTA PART NUMBER	TOTAL COST \$	LABOR HOUR	MATERIAL COST \$
29	PANEL, LOWER EXTENSION, REAR	0020421032	\$128.29	2.5	\$28.79
30	PANEL, FILLER LEFT REAR	0020420957	\$122.29	2.5	\$23.99
31	PANEL, FILLER RIGHT FRONT	0020420960	\$116.96	2.5	\$19.73
32	PANEL, SKIRT, UPPER WHEELHOUS	0020421031	\$323.96	2.5	\$185.33
33	PANEL, LOWER EXTENSION, FRONT	0020441028	\$130.80	2.5	\$30.80
34	PANEL, LOWER EXTENSION, REAR	0020421032	\$128.29	2.5	\$28.79
35	PANEL, SKIRT, COMMON	0020420954	\$352.68	2.5	\$208.30
36	PANEL, SKIRT, FUEL FILLER	0020420953	\$328.71	1.0	\$233.43
37	PANEL, FILLER, EXIT DOOR, FRONT	0020420959	\$74.36	1.0	\$29.95
38	PANEL, FILLER, EXIT DOOR, REAR	0020420958	\$122.29	2.5	\$23.99
39	PANEL, FILLER, RIGHT REAR	0020420956	\$116.89	2.5	\$19.67
40	PANEL, SKIRT, UPPER WHEELHOUS	0020421030	\$323.96	2.5	\$185.33
41	PANEL, LOWER EXTENSION, FRONT	0020421032	\$128.29	2.5	\$28.79
42	PANEL, LOWER EXTENSION, REAR	0020421029	\$128.29	2.5	\$28.79
43	STOP LAMP ASSY, RED	0020906544	\$12.88	0.2	\$4.40
44	TURN LAMP ASSY, AMBER	0020906549	\$23.95	0.2	\$13.25
45	BACK UP LAMP ASSY, CLEAR	0020906551	\$22.30	0.2	\$11.93
46	TAIL LAMP ASSY, RED	0020906544	\$12.88	0.2	\$4.40
47	BEZEL, LIGHT PANEL ENG. DOOR	PENDING	\$36.92	1.0	
48	DOOR ASSY, REAR ENGINE	0020420993	\$1,285.47	7.0	\$821.62
49	PANEL, A/C FREON ACCESS	0020420973	\$276.18	1.0	\$191.41
50	STOP LAMP ASSY, RED	0030905880	\$14.65	0.2	\$5.81
51	PANEL, A/C EXHAUST	0020402430	\$464.32	1.0	\$341.92
52	PANEL, A/C SIDE VENT	0020420972	\$130.90	0.5	\$89.95
53	HOUSING, A/C	0020420971	\$1,879.21	24.0	\$794.50
54	TURN LAMP ASSY, AMBER	0020906549	\$35.02	0.5	\$13.25
55	ARM ASSY, WIPER DRIVE, C/S	0110401870	\$135.80	1.0	\$79.10
56	ARM ASSY, WIPER DRIVE, S/S	0110401790	\$127.32	1.0	\$72.32



# PARTS LISTING

## TMC 12, 13, 14, 1500 SERIES

LABOR RATE: \$36.92

10/26/93

MATERIAL SURCHARGE: 25%

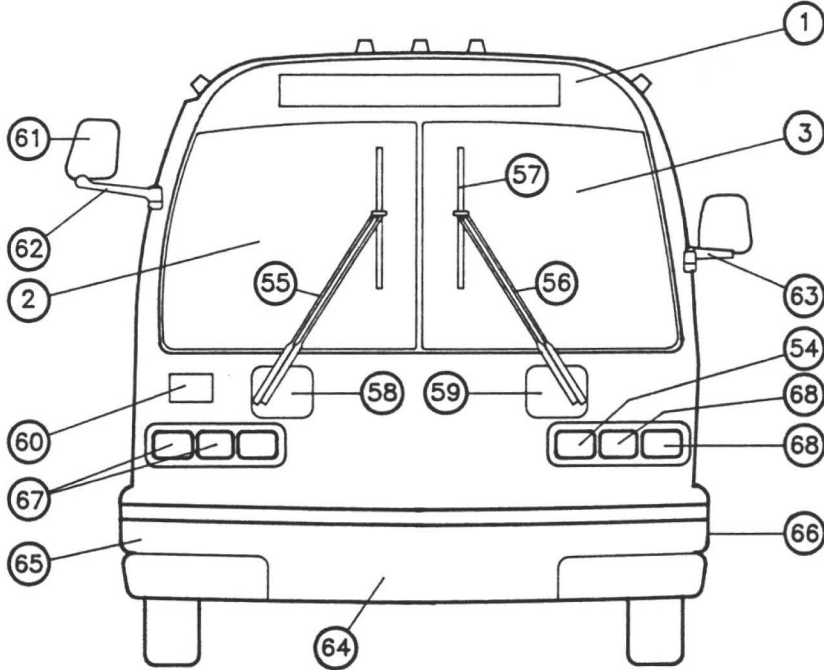
REF. NO.	DESCRIPTION	MTA PART NUMBER	TOTAL COST \$	LABOR HOUR	MATERIAL COST \$
57	BLADE, WIPER	0110401800	\$38.15	0.5	\$15.75
58	PANEL, WIPER MOTOR ACCESS, C/S	0020400280	\$64.17	1.0	\$21.80
59	PANEL, WIPER MOTOR ACCESS, S/S	0020400290	\$67.63	1.0	\$24.57
60	DOOR ASSY, W/SHIELD WASHER	0020417300	\$57.47	0.5	\$31.21
61	MIRROR ASSY	0020401270	\$43.21	0.5	\$19.80
62	MIRROR ARM ASSY, C/S	0020401090	\$49.41	1.0	\$9.99
63	MIRROR ARM ASSY, S/S	0020401110	\$46.01	1.0	\$7.27
64	MODULE, FRONT BUMPER CENTER	0020401590	\$770.30	8.0	\$379.95
65	MODULE, FRONT BUMPER C/S	0020401570	\$682.80	8.0	\$309.95
66	MODULE, FRONT BUMPER S/S	0020401580	\$682.80	8.0	\$309.95
67	HEADLIGHT ASSY, C/S	0020906433	\$103.21	0.5	\$67.80
68	HEADLIGHT ASSY, S/S	0020906434	\$102.81	0.5	\$67.48
69	BUMPER ASSY, REAR	0020421013	\$1,748.94	8.0	\$1,162.86
70	RUN SIGN, REAR	PENDING	\$1,805.42	1.0	\$1,414.80
			\$0.00		





# FRONT

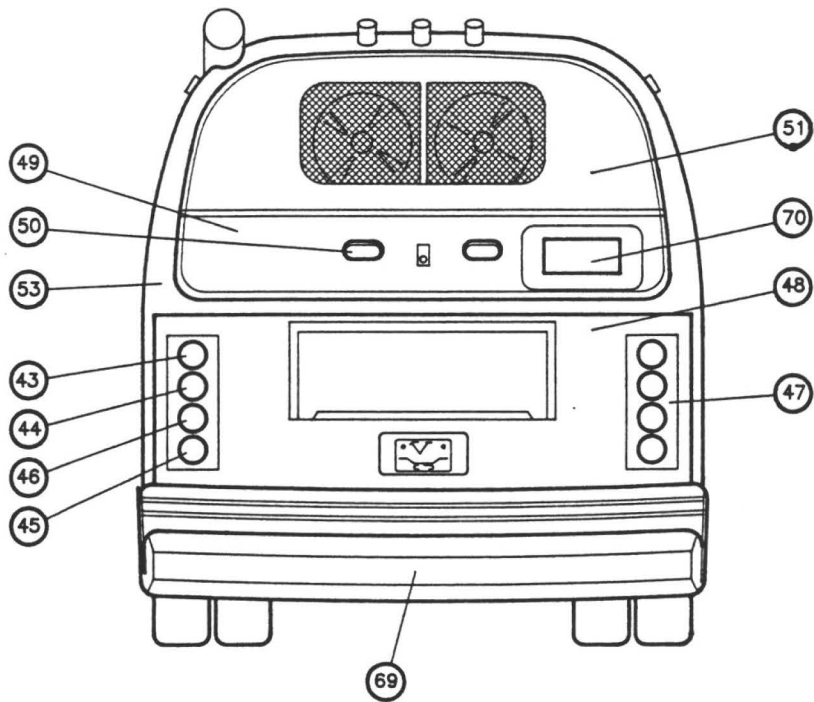
TMC 12, 13, 14, 1500 SERIES





# REAR

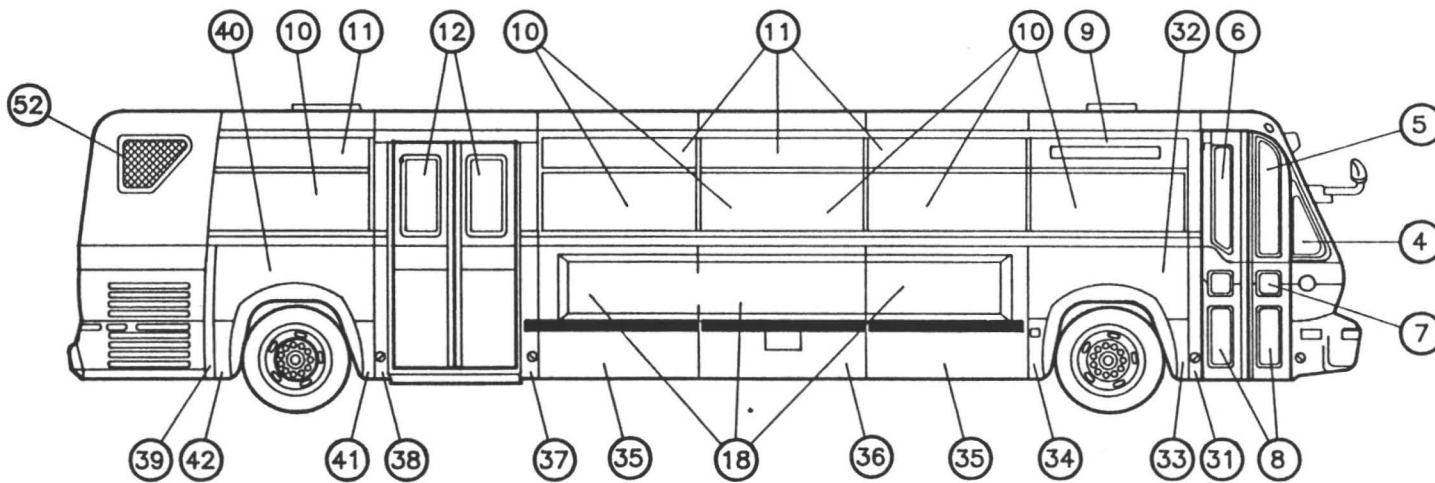
TMC 12, 13, 14, 1500 SERIES





# CURB SIDE

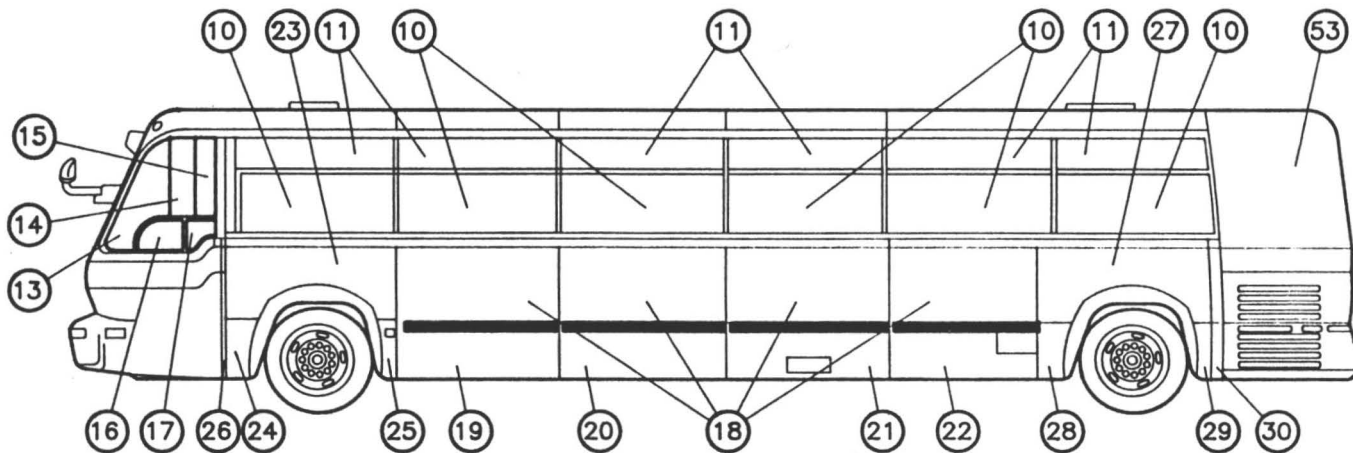
TMC 12, 13, 14, 1500 SERIES





# STREET SIDE

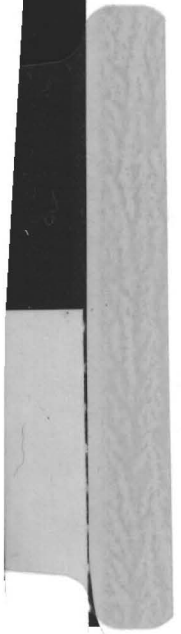
TMC 12, 13, 14, 1500 SERIES













GRAFFITI and VANDALISM  
GUIDEBOOK  
**DAMAGE COST ESTIMATE**

---

**SECTION 5**

January 1994

**FLXIBLE METRO**  
**1800, 2500, 2700, 2800, 2900**

---

**EXTERIOR DRAWINGS**

FRONT

REAR

CURBSIDE

STREETSIDE

**PARTS LISTING**

EXTERIOR



# PARTS LISTING

## FLXIBLE 18, 2500 - 2900 SERIES

LABOR RATE: \$36.92

11/15/93

MATERIAL SURCHARGE: 25%

REF NO.	DESCRIPTION	MTA PART NUMBER	TOTAL COST \$	LABOR HOUR	MATERIAL COST \$
1	WINDOW - DESTINATION SIGN, FRT	0312112268	\$191.27	1.0	\$123.48
2	WINDSHIELD - CURB SIDE	0312101540	\$135.01	1.5	\$63.70
3	WINDSHIELD - STREET SIDE	0312101550	\$125.38	1.5	\$56.00
4	WINDOW - STATIONARY, SIDE SIGN	0030411645	\$1,520.66	1.0	\$1,186.99
5	WINDOW - ENTRANCE DOOR, UPPE	0312112211	\$47.93	1.0	\$8.81
6	WINDOW - ENTRANCE DOOR LOWE	0312112211	\$47.93	1.0	\$8.81
7	WINDOW - SLIDDER, FRONT	0030411735	\$374.17	3.0	\$210.73
8	WINDOW - SLIDDER, REAR	0030411736	\$406.79	3.0	\$236.82
9	WINDOW - EXIT DOOR, LOWER	0312112210	\$53.67	1.0	\$13.40
10	WINDOW - EXIT DOOR, UPPER	0312112210	\$53.67	1.0	\$13.40
11	WINDOW - DRIVERS, UPPER	0312112265	\$75.36	1.5	\$15.98
12	WINDOW - DRIVERS, FORWARD	0312111263	\$80.37	1.5	\$19.99
13	WINDOW - DRIVERS, REAR	0312111264	\$75.01	1.5	\$15.70
14	WINDOW - SLIDDER, FRONT 48"	0030411738	\$283.30	2.0	\$167.57
15	WINDOW - SLIDDER, REAR 48"	0030411737	\$283.30	2.0	\$167.57
16	LAMP - DIRECTIONAL, AMBER	0030905752	\$29.21	0.5	\$8.60
17	LAMP - HEAD C/S OUTER	0030900070	\$29.84	0.5	\$9.10
18	LAMP - HEAD S/S OUTER	0030900060	\$29.84	0.5	\$9.10
19	LAMP - HEAD C/S INNER	0030900090	\$29.84	0.5	\$9.10
20	LAMP - HEAD S/S INNER	0030900080	\$29.84	0.5	\$9.10
21	BUMPER - COMPLETE	0030411580	\$1,565.37	8.0	\$1,016.01
22	MIRROR - ARM ASM, C/S	0030406790	\$102.78	1.0	\$52.69
23	BEZEL - HEADLAMP	0030410200	\$40.09	0.5	\$17.30
24	ARM, WIPER	0210400004	\$144.17	1.0	\$85.80
25	BLADE, WIPER	0030406100	\$41.01	0.5	\$18.04
26	FENDER - WHEELHOUSE	0030400590	\$132.74	1.5	\$61.89
27	PANEL ASM - DOOR	0030407440	\$89.17	1.0	\$41.80
28	PANEL ASM - DOOR	0030400200	\$89.17	1.0	\$41.80

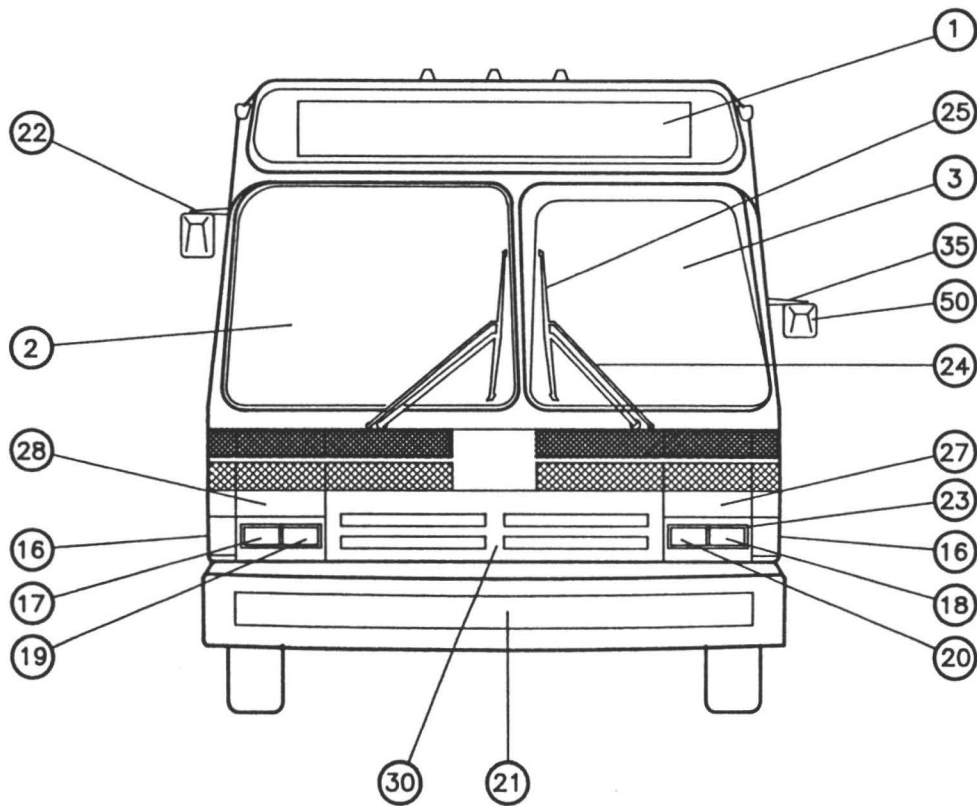






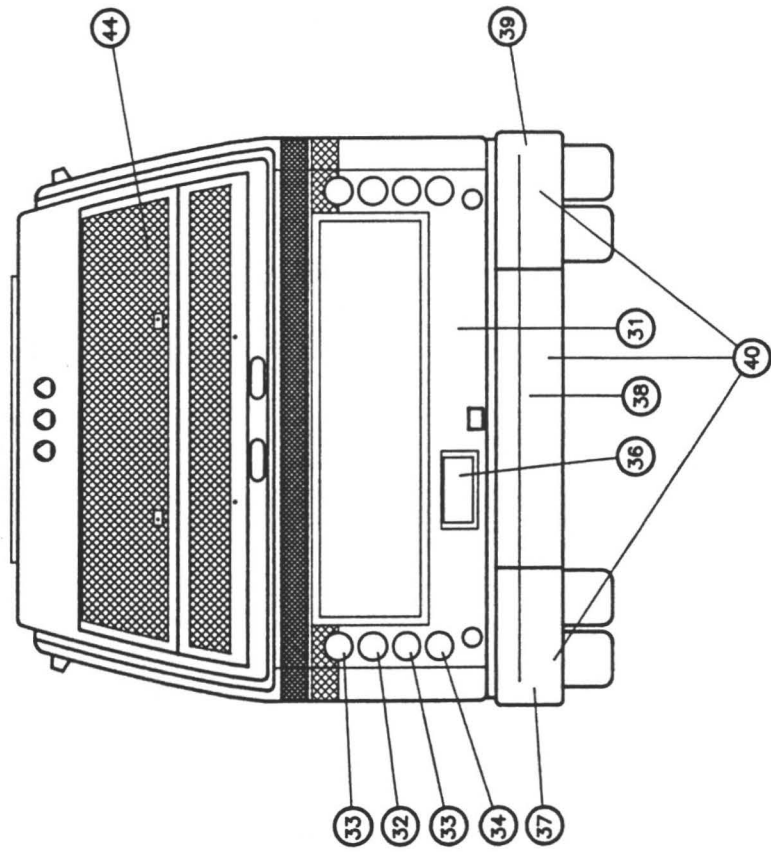


**FRONT**  
FLXIBLE SERIES  
18, 2500 - 2900



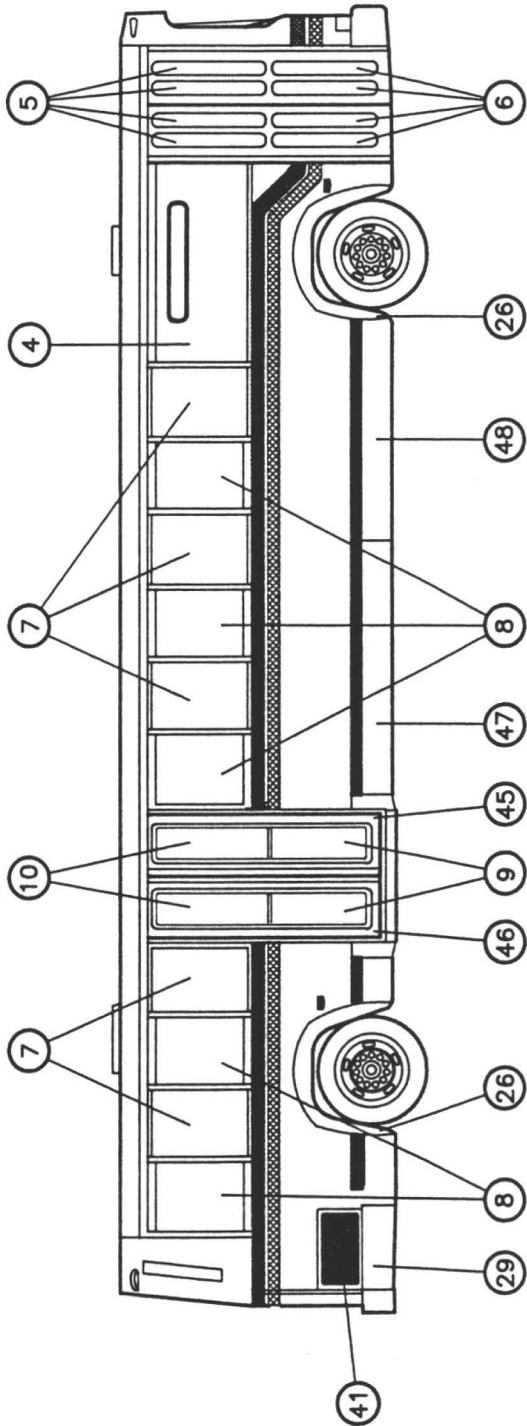


**REAR**  
FLXIBLE SERIES  
18, 2500 - 2900



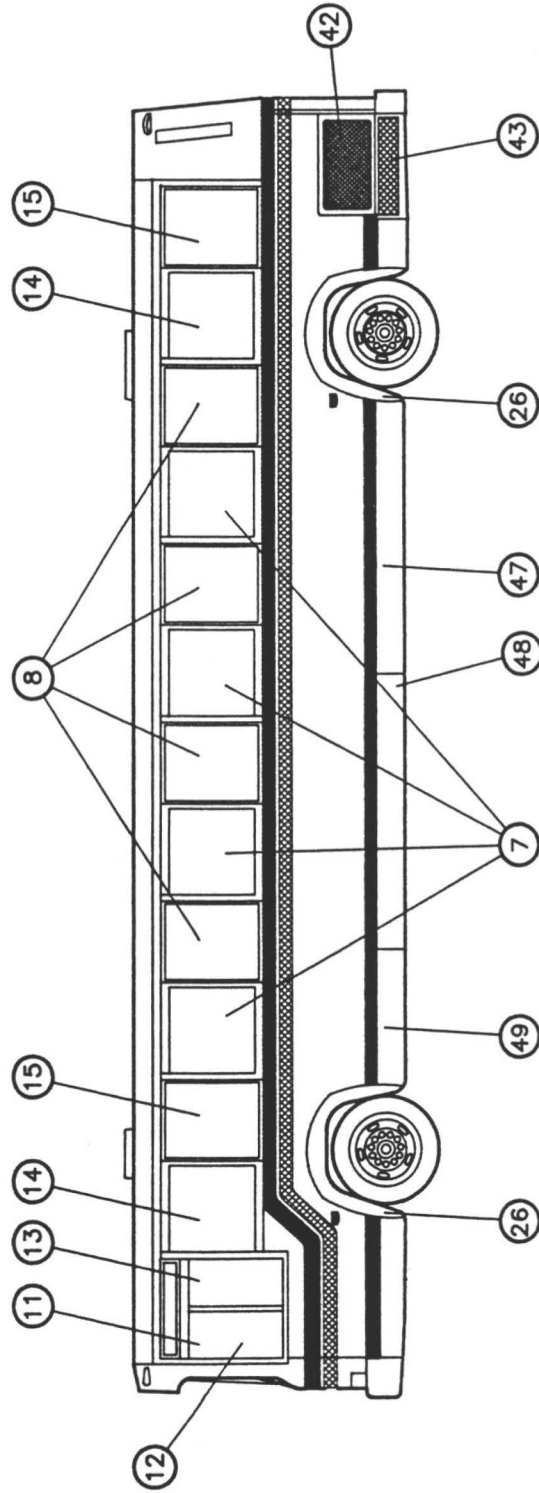


**CURB SIDE**  
 FLXIBLE SERIES  
 18, 2500 - 2900





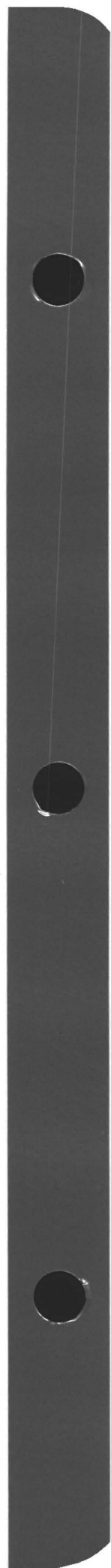
**STREET SIDE**  
FLXIBLE SERIES  
18, 2500 - 2900













**GRAFFITI and VANDALISM  
GUIDEBOOK  
DAMAGE COST ESTIMATE**

---

**SECTION 6**

January 1994

**TMC / RTS  
1900, 2000, 2300, 2400**

---

**EXTERIOR DRAWINGS**

FRONT

REAR

CURBSIDE

STREETSIDE

**PARTS LISTING**

EXTERIOR



# PARTS LISTING

## TMC RTS 19, 20, 23, 2400 SERIES

LABOR RATE: \$36.92

10/26/93

MATERIAL SURCHARGE: 25%

REF. NO.	DESCRIPTION	MTA PART NUMBER	TOTAL COST \$	LABOR HOUR	MATERIAL COST \$
1	WINDOW - DESTINATION SIGN, FRT	0312112234	\$125.97	1.0	\$71.24
2	WINDSHIELD - CURB SIDE	0312101640	\$148.84	2.0	\$60.00
3	WINDSHIELD - STREET SIDE	0312105400	\$148.84	2.0	\$60.00
4	WINDOW - QUARTER, FRONT	0312101670	\$35.91	0.5	\$13.96
5	WINDOW - #1 ENTRANCE DOOR	0312101680	\$61.04	1.0	\$19.30
6	WINDOW - #2 ENTRANCE DOOR	0312101690	\$63.14	1.0	\$20.98
7	WINDOW - #1&2 ENTRANCE DOOR	0312101700	\$24.71	0.5	\$5.00
8	WINDOW - #1&2 ENTRANCE DOOR	0312101710	\$28.95	0.5	\$8.39
9	WINDOW - SIDE SIGN, UPPER	0312120862	\$59.96	1.0	\$18.43
10	WINDOW - SIDE, SIGN LOWER	0312112257	\$626.40	2.0	\$442.05
11	WINDOW ASSY, SLIDING	0020420714	\$961.28	2.0	\$709.95
12	WINDOW - #3&4 EXIT DOOR	0020420788	\$116.41	1.0	\$63.59
13	WINDOW - REAR QUARTER	0312101750	\$269.05	1.0	\$185.70
14	WINDOW - DRIVERS, STATIONARY	0020420642	\$148.72	1.0	\$89.44
15	WINDOW - DRIVERS SLIDDER	0020420735	\$71.61	1.0	\$27.75
16	WINDOW - DRIVERS STATIONARY	0020420734	\$65.98	1.0	\$23.25
17	WINDOW - ASSY SLIDING	0020420715	\$961.28	2.0	\$709.95
18	WINDOW - DRIVERS SLIDDER	0312101650	\$51.20	1.0	\$11.42
19	PANEL, SKIRT, RADIO COMPT.	0020420962	\$306.41	1.0	\$215.59
20	DOOR ASM, SURGE TANK	0020402150	\$64.15	0.5	\$36.55
21	BUMPER EXTENSION, REAR	0020410540	\$695.31	1.5	\$511.94
22	DOOR, RADIATOR	0020402140	\$363.54	3.0	\$202.22
23	PANEL, SKIRT, WHEELHOUSE	0020420610	\$249.12	1.5	\$154.99
24	PANEL, A/C HOUSING	0020402220	\$132.22	1.0	\$76.24
25	WINDOW - DRIVERS STATIONARY	0312101660	\$53.31	1.0	\$13.11
26	WINDOW- SIDE, REAR QUARTER	0312101760	\$269.05	1.0	\$185.70
27	PANEL, SKIRT, WHEELHOUSE	0020420611	\$246.96	1.5	\$153.26
28	PANEL, SKIRT, DRIVER	0020409201	\$282.62	4.0	\$107.95



# PARTS LISTING

## TMC RTS 19, 20, 23, 2400 SERIES

LABOR RATE: \$36.92

10/26/93

MATERIAL SURCHARGE: 25%

REF. NO.	DESCRIPTION	MTA PART NUMBER	TOTAL COST \$	LABOR HOUR	MATERIAL COST \$
29	PANEL, DRIVERS WINDOW	0020411880	\$411.79	8.0	\$93.14
30	PANEL ASSY, COMMON	0020420607	\$202.31	1.0	\$132.31
31	PANEL ASSY, COMMON	0020420604	\$200.92	1.0	\$131.20
32	PANEL, SKIRT, WHEELHOUSE	0020420608	\$244.53	1.5	\$151.32
33	TRIM, SIDE WINDOW FRONT	0020420685	\$64.50	0.5	\$36.83
34	PANEL, BELT LINE	0020420738	\$733.45	8.0	\$350.47
35	PANEL ASSY, INTERMEDIATE	0020420603	\$682.16	8.0	\$309.44
36	PANEL, FUEL FILLER	0020400220	\$277.64	3.0	\$133.50
37	DOOR, FUEL FILLER	0020411920	\$75.15	1.0	\$30.58
38	PANEL, A/C HOUSING	0020402230	\$132.22	1.0	\$76.24
39	TRIM, EXIT DOOR, REAR	0020421073	\$122.16	0.5	\$82.96
40	PANEL, SKIRT, WHEELHOUSE	0020420609	\$249.12	1.5	\$154.99
41	DOOR, TRANSMISSION	0020401790	\$465.65	3.0	\$283.91
42	BUMPER EXTENSION, REAR	0020402960	\$695.31	1.5	\$511.94
43	STOP LAMP ASSY, RED	0020906544	\$12.88	0.2	\$4.40
44	TURN LAMP ASSY, AMBER	0020906549	\$23.95	0.2	\$13.25
45	BACK UP LAMP ASSY, CLEAR	0020906551	\$22.30	0.2	\$11.93
46	TAIL LAMP ASSY, RED	0020906544	\$12.88	0.2	\$4.40
47	BEZEL, LIGHT PANEL ENG. DOOR	PENDING	\$36.92	1.0	
48	DOOR ASSY, REAR ENGINE	0020420993	\$1,285.47	7.0	\$821.62
49	PANEL, A/C FREON ACCESS	0020420973	\$276.18	1.0	\$191.41
50	DOOR - OIL INSP.	0020411830	\$48.26	0.3	\$29.75
51	PANEL, A/C EXHAUST	0020402430	\$464.32	1.0	\$341.92
52	BUMPER ASSY, REAR	0020410650	\$1,036.86	1.0	\$799.95
53	HOUSING, A/C	0020420971	\$1,879.21	24.0	\$794.50
54	TURN LAMP ASSY, AMBER	0020906549	\$35.02	0.5	\$13.25
55	ARM ASSY, WIPER DRIVE, C/S	0110401870	\$135.80	1.0	\$79.10
56	ARM ASSY, WIPER DRIVE, S/S	0110401790	\$127.32	1.0	\$72.32





# PARTS LISTING

## TMC RTS 19, 20, 23, 2400 SERIES

LABOR RATE: \$36.92

10/26/93

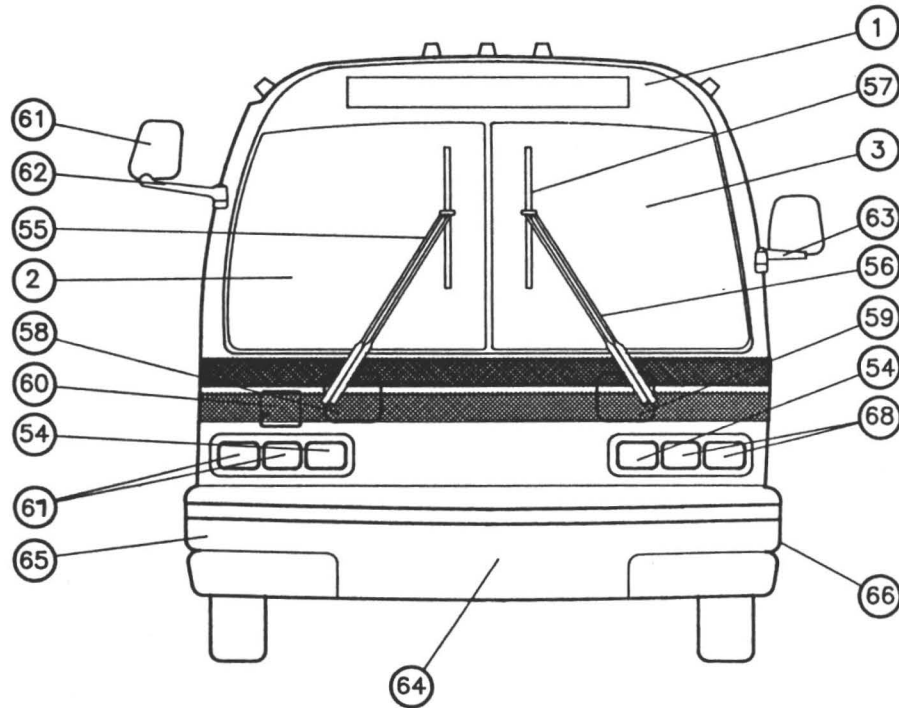
MATERIAL SURCHARGE: 25%

REF. NO.	DESCRIPTION	MTA PART NUMBER	TOTAL COST \$	LABOR HOUR	MATERIAL COST \$
57	BLADE, WIPER	0110401800	\$38.15	0.5	\$15.75
58	PANEL, WIPER MOTOR ACCESS, C/S	0020400280	\$64.17	1.0	\$21.80
59	PANEL, WIPER MOTOR ACCESS, S/S	0020400290	\$67.63	1.0	\$24.57
60	DOOR ASSY, W/SHIELD WASHER	0020417300	\$57.47	0.5	\$31.21
61	MIRROR ASSY	0020401270	\$43.21	0.5	\$19.80
62	MIRROR ARM ASSY, C/S	0020401090	\$49.41	1.0	\$9.99
63	MIRROR ARM ASSY, S/S	0020401110	\$46.01	1.0	\$7.27
64	MODULE, FRONT BUMPER CENTER	0020401590	\$770.30	8.0	\$379.95
65	MODULE, FRONT BUMPER C/S	0020401570	\$682.80	8.0	\$309.95
66	MODULE, FRONT BUMPER S/S	0020401580	\$682.80	8.0	\$309.95
67	HEADLIGHT ASSY, C/S	0020906433	\$103.21	0.5	\$67.80
68	HEADLIGHT ASSY, S/S	0020906434	\$102.81	0.5	\$67.48
69	TRIM, ENTRANCE DOOR REAR	0020420711	\$53.90	0.5	\$28.35



# FRONT

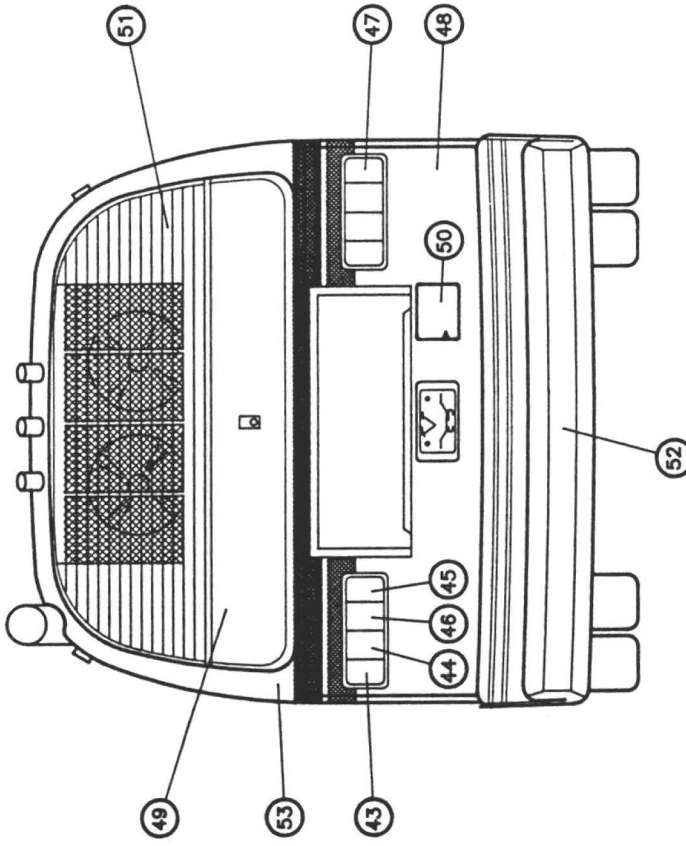
TMC/RTS 19, 20, 23, 2400 SERIES





# REAR

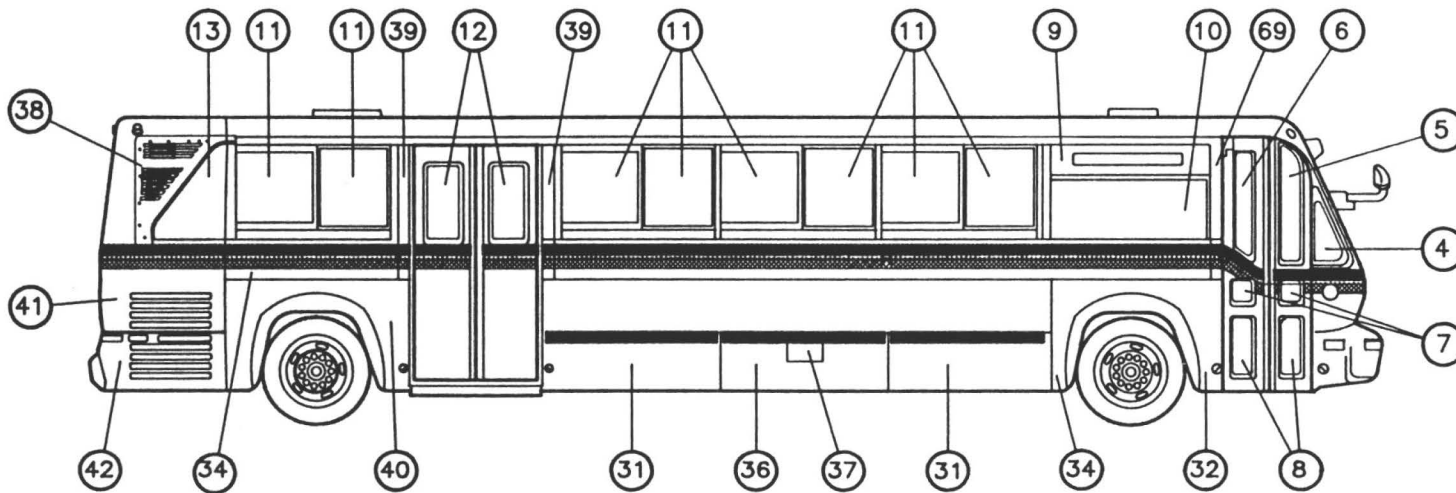
TMC/RTS 19, 20, 23, 2400 SERIES





# CURB SIDE

TMC/RTS 19, 20, 23, 2400 SERIES

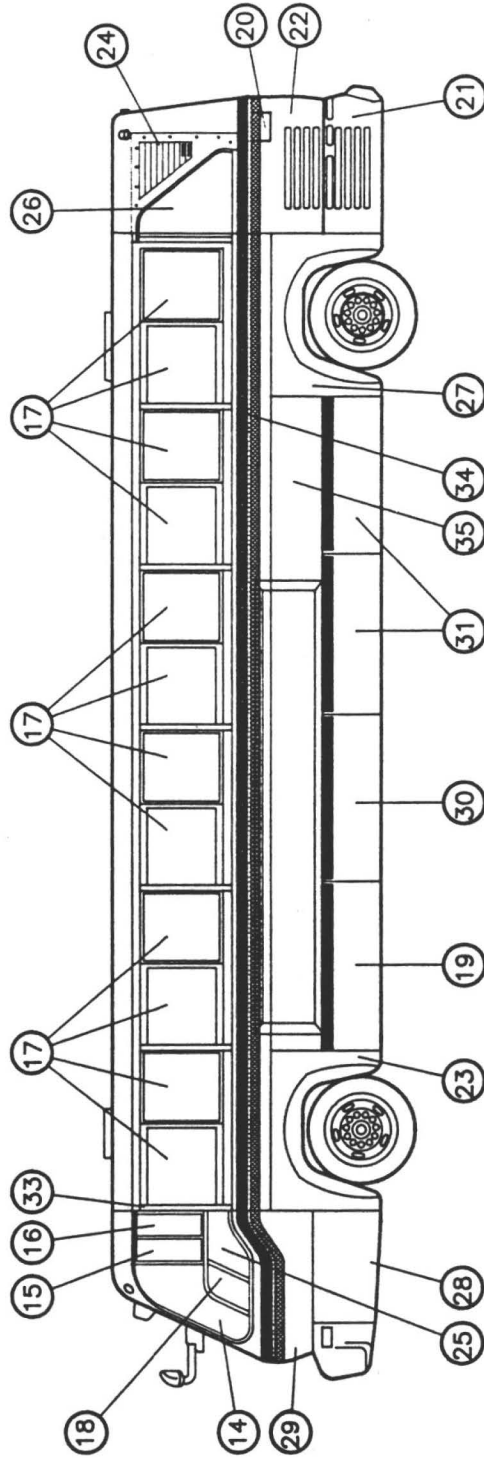




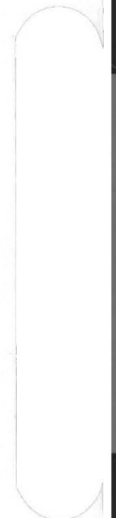


# STREET SIDE

TMC/RTS 19, 20, 23, 2400 SERIES







7





GRAFFITI and VANDALISM  
GUIDEBOOK  
**DAMAGE COST ESTIMATE**

---

**SECTION 7**

January 1994

**NEOPLAN  
3300 THROUGH 3714**

---

**EXTERIOR DRAWINGS**

FRONT

REAR

CURBSIDE

STREETSIDE

**PARTS LISTING**

EXTERIOR



# PARTS LISTING

## NEOPLAN 3300 - 3714 SERIES

LABOR RATE: \$36.92

10/28/93

MATERIAL SURCHARGE: 25%

REF NO.	DESCRIPTION	MTA PART NUMBER	TOTAL COST \$	LABOR HOUR	MATERIAL COST \$
1	WINDOW - DESTINATION SIGN, FRT	0210400395	\$138.01	1.0	\$80.87
2	WINDSHIELD - CURB SIDE	0210400026	\$176.01	1.5	\$96.50
3	WINDSHIELD - STREET SIDE	0210400027	\$176.01	1.5	\$96.50
4	WINDOW - STATIONARY, C/S	0210400319	\$453.97	3.0	\$274.57
5	WINDOW - ENTRANCE DOOR UPPER	0210400031	\$74.92	1.0	\$30.40
6	WINDOW - ENTRANCE DOOR LOWE	0210400030	\$51.61	1.0	\$11.75
7	WINDOW - SLIDDER, EMERG.	0210400322	\$583.56	1.0	\$437.31
8	WINDOW - SLIDDER, NON-EMERG.	0201400323	\$189.42	1.0	\$122.00
9	WINDOW - EXIT DOOR	0210400032	\$117.55	1.0	\$64.50
10	WINDOW ASSY, OPERATORS	0210400318	\$936.34	2.0	\$690.00
11	WINDOW - STATIONARY, S/S	0210400324	\$468.41	3.0	\$286.12
12	WINDOW - SLIDDER, EMERG.	0210400320	\$189.42	1.0	\$122.00
13	WINDOW - SLIDDER, NON-EMERG.	0210400321	\$567.63	1.0	\$424.57
14	DOOR ASSY - ACCESS, TOP	0210400048	\$258.92	0.5	\$192.37
15	DOOR ASSY - ACCESS, LOWER	0210400298	\$78.27	0.5	\$47.85
16	LAMP - DIRECTIONAL, AMBER	0210900187	\$35.80	0.5	\$13.87
17	LAMP - HEAD C/S OUTER	0210900188	\$28.09	0.5	\$7.70
18	LAMP - HEAD S/S OUTER	0210900191	\$28.09	0.5	\$7.70
19	LAMP - HEAD C/S INNER	0210900189	\$28.09	0.5	\$7.70
20	LAMP - HEAD S/S INNER	0210900192	\$28.09	0.5	\$7.70
21	BUMPER - COMPLETE	0200400070	\$1,018.72	2.0	\$755.90
22	BUMPER - SHEET	0210400506	\$77.13	1.5	\$17.40
23	BEZEL - HEADLAMP	0210400299	\$49.71	0.5	\$25.00
24	ARM, WIPER	0210400004	\$144.17	1.0	\$85.80
25	BLADE, WIPER	0030406100	\$41.01	0.5	\$18.04
26	FENDER - WHEELHOUSE	0210400017	\$229.28	2.0	\$124.35
27	DOOR - FUEL	0210400184	\$73.96	0.5	\$44.40
28	DOOR - BATTERY	0210400038	\$251.34	2.0	\$142.00





# PARTS LISTING

## NEOPLAN 3300 - 3714 SERIES

LABOR RATE: \$36.92

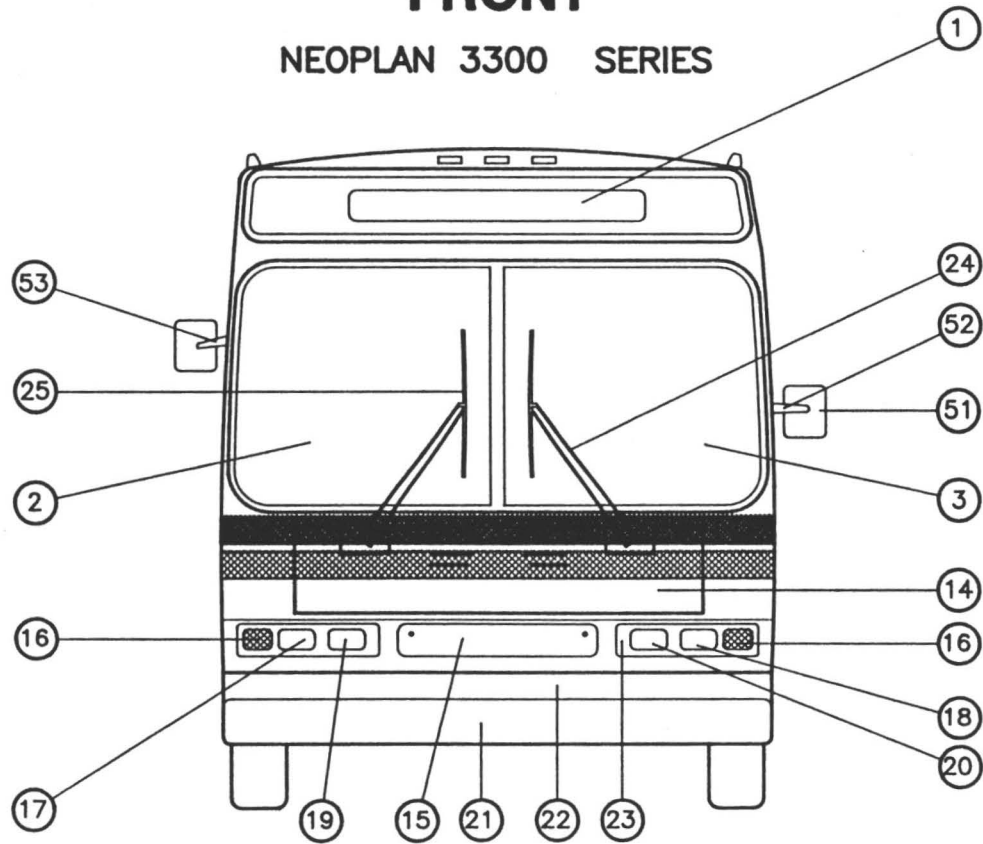
10/28/93

MATERIAL SURCHARGE: 25%

REF NO.	DESCRIPTION	MTA PART NUMBER	TOTAL COST \$	LABOR HOUR	MATERIAL COST \$
29	DOOR - 'J' BOX	0210400185	\$150.34	2.0	\$61.20
30	DOOR - RADIO	0210400189	\$166.82	2.0	\$74.38
31	DOOR - ENGINE	0210400040	\$1,102.77	6.0	\$705.00
32	LAMP - DIRECTIONAL, AMBER	0210913427	\$23.85	0.5	\$4.31
33	LAMP - RED, STOP, TAIL	0210913429	\$22.76	0.5	\$3.44
34	LAMP - CLEAR, BACK UP	0210913428	\$24.32	0.5	\$4.69
35	COVER - VENT, ENGINE DOOR	0211000227	\$375.78	4.0	\$182.48
36	DOOR - OIL CHECK	0170902039	\$51.14	0.5	\$26.14
37	BUMPER - S/S	0210400218	\$94.86	1.0	\$46.35
38	BUMPER - CENTER	0210400219	\$175.76	3.0	\$52.00
39	BUMPER - C/S	0210400220	\$94.86	1.0	\$46.35
40	BUMPER - COMPLETE	0210400022	\$971.00	2.5	\$702.96
41	DOOR, TRANSMISSION	0210400043	\$394.47	2.0	\$256.50
42	DOOR, RADIATOR	0210400044	\$590.84	2.0	\$413.60
43	CAP - A/C	0210400215	\$1,408.40	20.0	\$536.00
44	DOOR - A/C, LOUVER	0210400045	\$659.78	1.0	\$498.29
45	DOOR - EXIT, #3	3210900085	\$1,105.28	2.0	\$825.15
46	DOOR - EXIT, #4	3210900086	\$1,102.97	2.0	\$823.30
47	PANEL - SKIRT, FUEL DOOR	0210400036	\$123.53	2.0	\$39.75
48	PANEL - SKIRT	0210400035	\$99.42	1.0	\$50.00
49	DOOR - A/C CAP C/S	0210400047	\$188.17	1.0	\$121.00
50	DOOR - A/C CAP S/S	0210400046	\$210.05	1.0	\$138.50
51	MIRROR - OUTSIDE	0020409600	\$43.25	0.5	\$19.83
52	MIRROR - ARM ASM, S/S	0020400015	\$35.34	0.5	\$13.50
53	MIRROR - ARM ASM, C/S	0210400015	\$35.34	0.5	\$13.50
54	RUB RAIL - SIDE	0210400012	\$350.13	1.5	\$235.80
55	RUB RAIL - REAR	0210400405	\$97.46	0.5	\$63.20



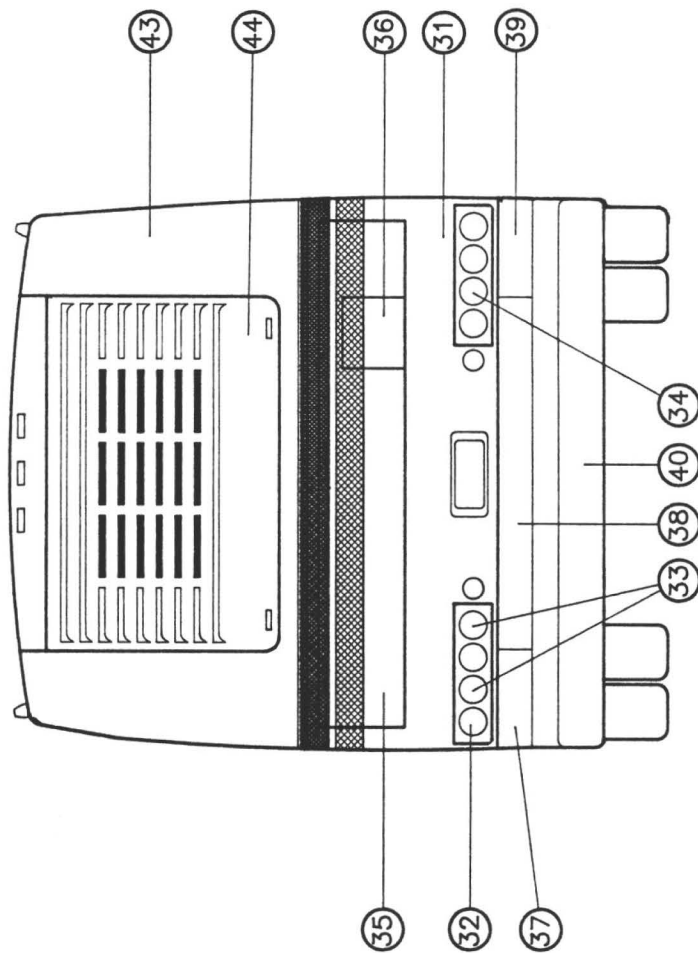
**FRONT**  
NEOPLAN 3300 SERIES





# REAR

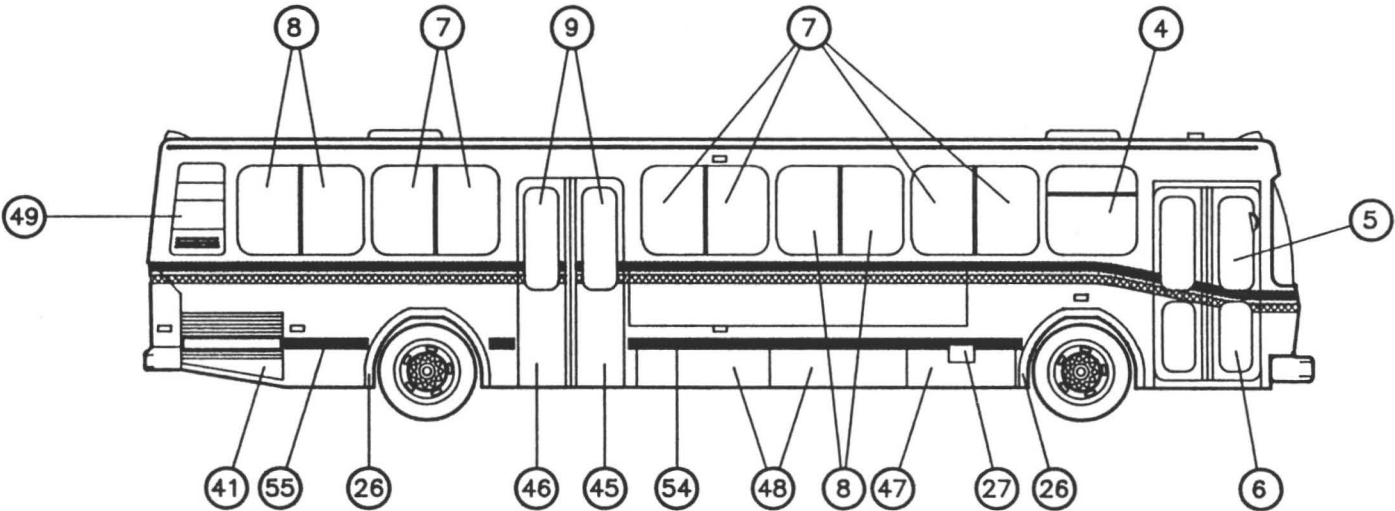
NEOPLAN 3300 SERIES





# CURB SIDE

## NEOPLAN 3300 SERIES

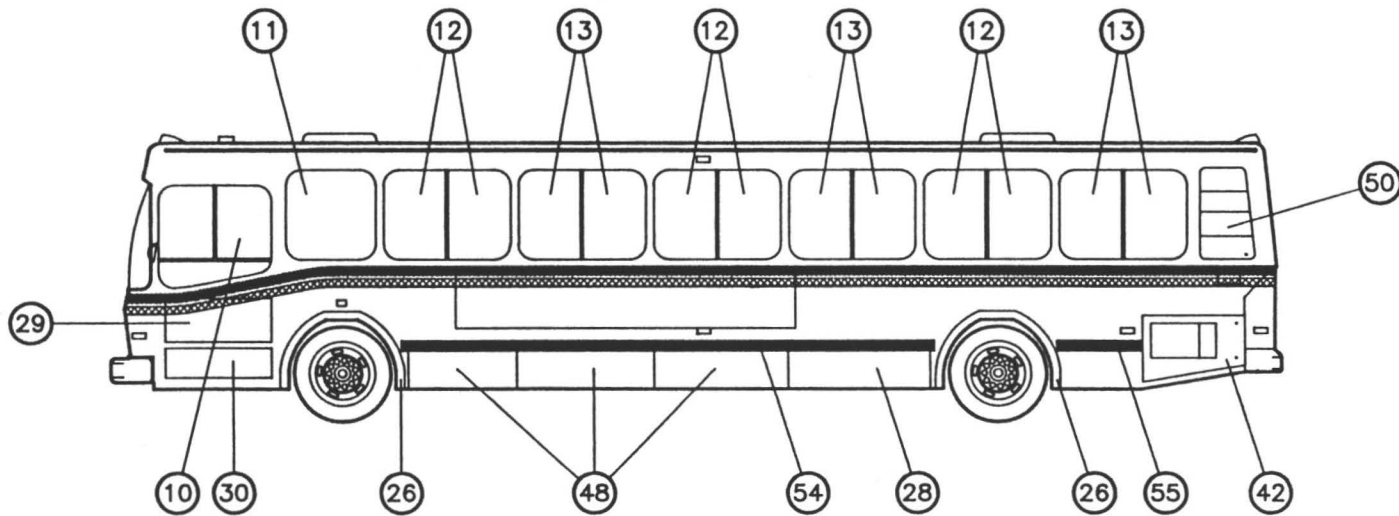






# STREET SIDE

## NEOPLAN 3300 SERIES







8





**GRAFFITI and VANDALISM  
GUIDEBOOK  
DAMAGE COST ESTIMATE**

---

**SECTION 8**

January 1994

**GMC / RTS  
4400 THROUGH 4434**

---

**EXTERIOR DRAWINGS**

FRONT

REAR

CURBSIDE

STREETSIDE

**PARTS LISTING**

EXTERIOR



# PARTS LISTING

## GMC RTS 4400 SERIES

LABOR RATE: \$36.92

10/26/93

MATERIAL SURCHARGE: 25%

REF NO.	DESCRIPTION	MTA PART NUMBER	TOTAL COST \$	LABOR HOUR	MATERIAL COST \$
1	WINDOW - DESTINATION SIGN, FRT	0312112274	\$138.01	1.0	\$80.87
2	WINDSHIELD - CURB SIDE	0312105950	\$149.78	2.0	\$60.75
3	WINDSHIELD - STREET SIDE	0312105960	\$168.83	2.0	\$75.99
4	WINDOW - QUARTER, FRONT	0312101670	\$35.91	0.5	\$13.96
5	WINDOW - #1 ENTRANCE DOOR	0312101680	\$61.04	1.0	\$19.30
6	WINDOW - #2 ENTRANCE DOOR	0312101690	\$63.14	1.0	\$20.98
7	WINDOW - #1&2 ENTRANCE DOOR	0312101700	\$24.71	0.5	\$5.00
8	WINDOW - #1&2 ENTRANCE DOOR	0312101710	\$28.95	0.5	\$8.39
9	WINDOW - SIDE SIGN, UPPER	0312120862	\$59.96	1.0	\$18.43
10	WINDOW - SIDE, SIGN LOWER	0312112257	\$626.40	2.0	\$442.05
11	WINDOW ASSY, SLIDING	0020420714	\$961.28	2.0	\$709.95
12	WINDOW - #3&4 EXIT DOOR	0020420788	\$116.41	1.0	\$63.59
13	WINDOW - REAR QUARTER	0312101750	\$269.05	1.0	\$185.70
14	WINDOW - DRIVERS, STATIONARY	0020420734	\$65.98	1.0	\$23.25
15	DOOR - #4 EXIT	0020400600	\$358.90	2.0	\$228.05
16	DOOR - #3 EXIT	0020417000	\$373.27	2.0	\$239.54
17	WINDOW - ASSY SLIDING	0020420715	\$961.28	2.0	\$709.95
18	WINDOW - DRIVERS SLIDDER	0312101650	\$51.20	1.0	\$11.42
19	PANEL, COMP. DOOR, LOWER	0020411610	\$185.42	1.0	\$118.80
20	DOOR ASM, SURGE TANK	0020402150	\$64.15	0.5	\$36.55
21	BUMPER EXTENSION, REAR	0020410540	\$695.31	1.5	\$511.94
22	DOOR, RADIATOR	0020402140	\$363.54	3.0	\$202.22
23	PANEL, SKIRT, WHEELHOUSE	0020420610	\$249.12	1.5	\$154.99
24	PANEL, A/C HOUSING	0020402220	\$132.22	1.0	\$76.24
25	WINDOW - DRIVERS STATIONARY	0312101660	\$53.31	1.0	\$13.11
26	WINDOW- SIDE, REAR QUARTER	0312101760	\$269.05	1.0	\$185.70
27	PANEL, SKIRT,WHEELHOUSE	0020420611	\$246.96	1.5	\$153.26
28	PANEL, SKIRT, DRIVER	0020409201	\$282.62	4.0	\$107.95





# PARTS LISTING

## GMC RTS 4400 SERIES

LABOR RATE: \$36.92

10/26/93

MATERIAL SURCHARGE: 25%

REF NO.	DESCRIPTION	MTA PART NUMBER	TOTAL COST \$	LABOR HOUR	MATERIAL COST \$
29	PANEL, DRIVERS WINDOW	0020411880	\$411.79	8.0	\$93.14
30	PANEL, COMP. DOOR UPPER	0020400210	\$194.43	2.5	\$81.70
31	PANEL, INTERMEDIATE, SMALL	0020401510	\$345.60	3.0	\$187.87
32	PANEL, SKIRT, WHEELHOUSE	0020420608	\$244.53	1.5	\$151.32
33	TRIM, SIDE WINDOW FRONT	0020420685	\$64.50	0.5	\$36.83
34	PANEL, BELT LINE	0020420738	\$733.45	8.0	\$350.47
35	BAZEL, LIGHT PANEL S/S	0020900400	\$50.86	0.5	\$25.92
36	PANEL, FUEL FILLER	0020400220	\$277.64	3.0	\$133.50
37	DOOR, FUEL FILLER	0020411920	\$75.15	1.0	\$30.58
38	PANEL, A/C HOUSING	0020402230	\$132.22	1.0	\$76.24
39	TRIM, EXIT DOOR, REAR	0020421073	\$122.16	0.5	\$82.96
40	PANEL, SKIRT, WHEELHOUSE	0020420609	\$249.12	1.5	\$154.99
41	DOOR, TRANSMISSION	0020401790	\$465.65	3.0	\$283.91
42	BUMPER EXTENSION, REAR	0020402960	\$695.31	1.5	\$511.94
43	STOP LAMP ASSY, RED	0020906544	\$12.88	0.2	\$4.40
44	TURN LAMP ASSY, AMBER	0020906549	\$23.95	0.2	\$13.25
45	BACK UP LAMP ASSY, CLEAR	0020906551	\$22.30	0.2	\$11.93
46	TAIL LAMP ASSY, RED	0020906544	\$12.88	0.2	\$4.40
47	BEZEL, LIGHT PANEL C/S	0020900390	\$52.45	0.5	\$27.19
48	DOOR ASSY, REAR ENGINE	0020417670	\$847.49	3.0	\$589.38
49	PANEL, A/C FREON ACCESS	0020402210	\$212.90	0.5	\$155.55
50	DOOR - OIL INSP.	0020411830	\$48.26	0.3	\$29.75
51	PANEL, A/C EXHAUST	0020402420	\$421.48	1.0	\$307.65
52	BUMPER ASSY, REAR	0020420068	\$986.86	1.0	\$759.95
53	HOUSING, A/C	0020420071	\$990.24	8.0	\$555.90
54	TURN LAMP ASSY, AMBER	0020906549	\$35.02	0.5	\$13.25
55	ARM ASSY, WIPER DRIVE, C/S	0110401870	\$135.80	1.0	\$79.10
56	ARM ASSY, WIPER DRIVE, S/S	0110401790	\$127.32	1.0	\$72.32



# PARTS LISTING

## GMC RTS 4400 SERIES

LABOR RATE: \$36.92

10/26/93

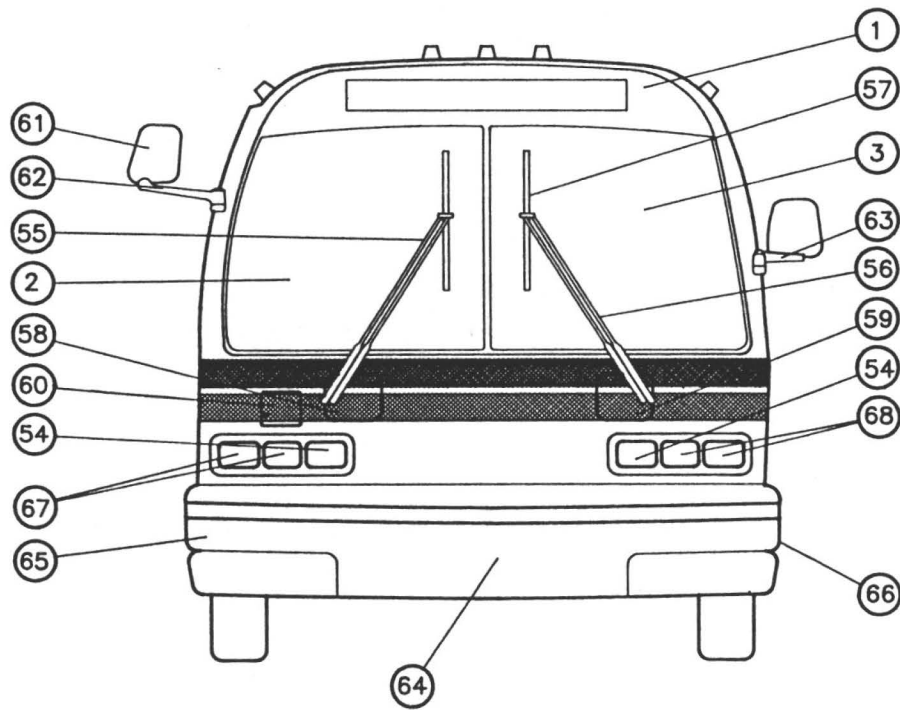
MATERIAL SURCHARGE: 25%

REF NO.	DESCRIPTION	MTA PART NUMBER	TOTAL COST \$	LABOR HOUR	MATERIAL COST \$
57	BLADE, WIPER	0110401800	\$38.15	0.5	\$15.75
58	PANEL, WIPER MOTOR ACCESS, C/S	0020400280	\$64.17	1.0	\$21.80
59	PANEL, WIPER MOTOR ACCESS, S/S	0020400290	\$67.63	1.0	\$24.57
60	DOOR ASSY, W/SHIELD WASHER	0020417300	\$57.47	0.5	\$31.21
61	MIRROR ASSY	0020401270	\$43.21	0.5	\$19.80
62	MIRROR ARM ASSY, C/S	0020401090	\$49.41	1.0	\$9.99
63	MIRROR ARM ASSY, S/S	0020401110	\$46.01	1.0	\$7.27
64	MODULE, FRONT BUMPER CENTER	0020419890	\$770.30	8.0	\$379.95
65	MODULE, FRONT BUMPER C/S	0020401570	\$682.80	8.0	\$309.95
66	MODULE, FRONT BUMPER S/S	0020401580	\$682.80	8.0	\$309.95
67	HEADLIGHT ASSY, C/S	0020906433	\$103.21	0.5	\$67.80
68	HEADLIGHT ASSY, S/S	0020906434	\$102.81	0.5	\$67.48
69	TRIM, ENTRANCE DOOR REAR	0020420711	\$53.90	0.5	\$28.35



# FRONT

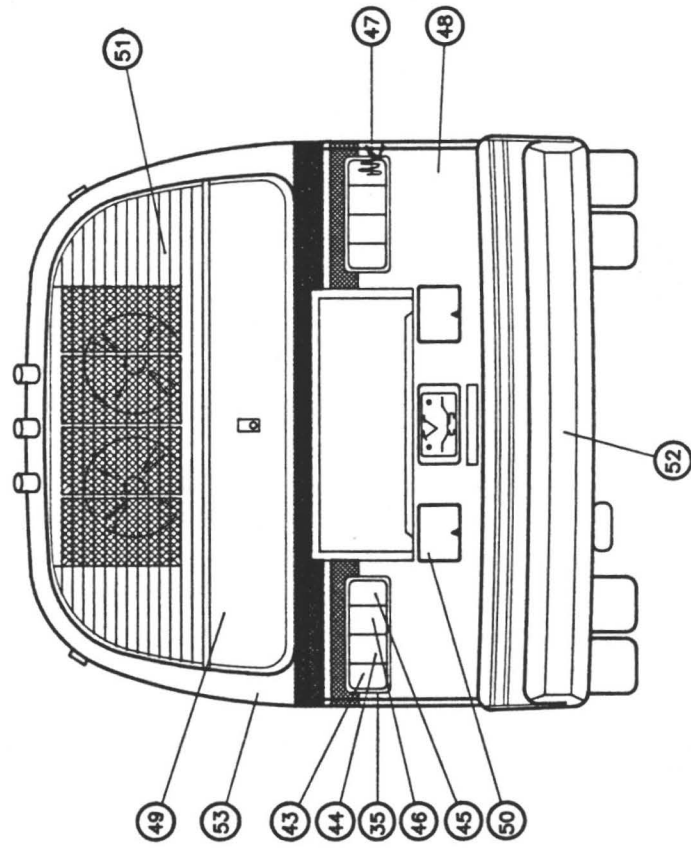
GMC/RTS 4400 SERIES





# REAR

GMC/RTS 4400 SERIES

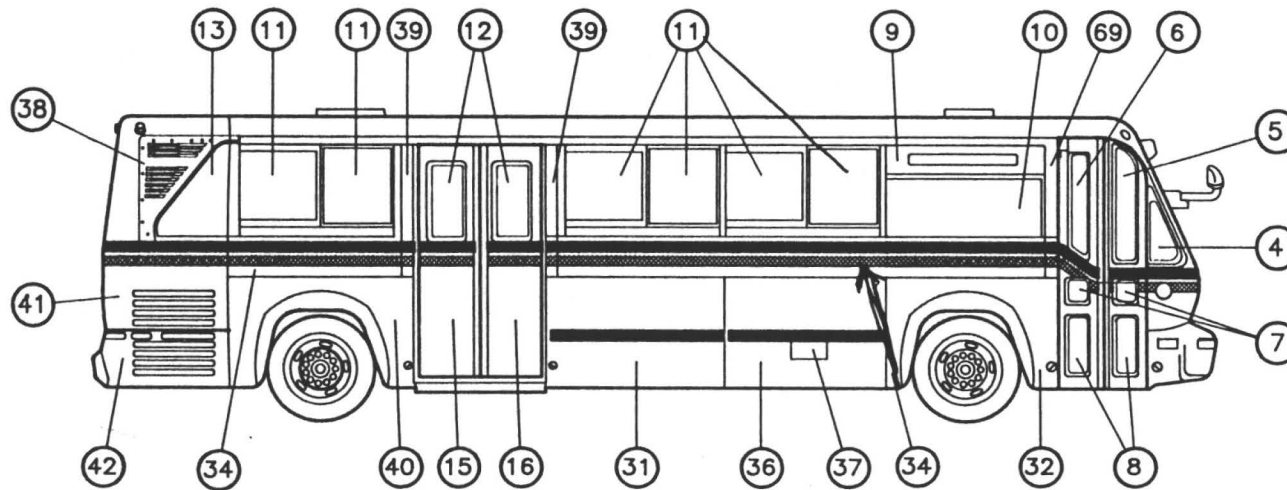






# CURB SIDE

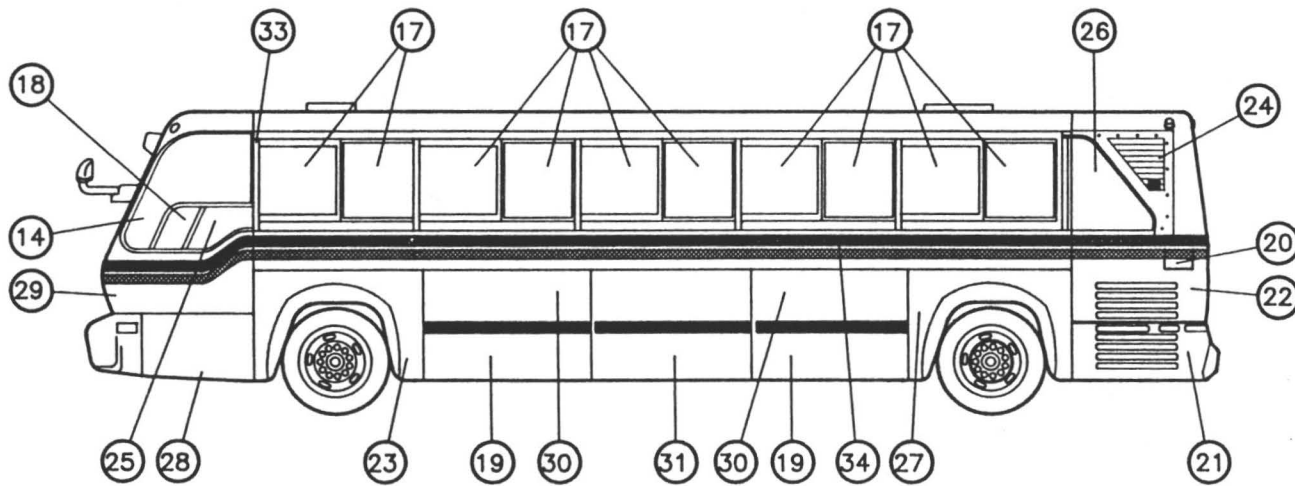
GMC/RTS 4400 SERIES





# STREET SIDE

## GMC/RTS 4400 SERIES







9





**GRAFFITI and VANDALISM  
GUIDEBOOK  
DAMAGE COST ESTIMATE**

---

**SECTION 9**

January 1994

**GMC / RTS  
8200 THROUGH 9139**

---

**EXTERIOR DRAWINGS**

FRONT

REAR

CURBSIDE

STREETSIDE

**PARTS LISTING**

EXTERIOR





# PARTS LISTING

## GMC RTS 8200 - 9139 SERIES

LABOR RATE: \$36.92

10/26/93

MATERIAL SURCHARGE: 25%

REF. NO.	DESCRIPTION	MTA PART NUMBER	TOTAL COST \$	LABOR HOUR	MATERIAL COST \$
1	WINDOW - DESTINATION SIGN, FRT	O312112234	\$125.97	1.0	\$71.24
2	WINDSHIELD - CURB SIDE	0312101640	\$148.84	2.0	\$60.00
3	WINDSHIELD - STREET SIDE	0312105400	\$148.84	2.0	\$60.00
4	WINDOW - QUARTER, FRONT	0312101670	\$35.91	0.5	\$13.96
5	WINDOW - #1 ENTRANCE DOOR	0312101680	\$61.04	1.0	\$19.30
6	WINDOW - #2 ENTRANCE DOOR	0312101690	\$63.14	1.0	\$20.98
7	WINDOW - #1&2 ENTRANCE DOOR	0312101700	\$24.71	0.5	\$5.00
8	WINDOW - #1&2 ENTRANCE DOOR	0312101710	\$28.95	0.5	\$8.39
9	WINDOW - SIDE SIGN, INSERT	3020420074	\$59.96	1.0	\$18.43
10	WINDOW - SIDE, SIGN LOWER	0312101740	\$816.33	2.0	\$593.99
11	WINDOW - SIDE	0312101770	\$360.09	2.0	\$229.00
12	WINDOW - #3 EXIT DOOR	03121011720	\$121.94	0.5	\$82.78
13	WINDOW - #4 EXIT DOOR	0312101730	\$105.40	0.5	\$69.55
14	WINDOW - SIDE REAR QUARTER	0312101750	\$269.05	1.0	\$185.70
15	WINDOW - DRIVERS, STATIONARY	0020420734	\$65.98	1.0	\$23.25
16	WINDOW - DRIVERS, SLIDDER	0312101650	\$51.19	1.0	\$11.42
17	WINDOW - DRIVERS, STATIONARY	0312101660	\$53.31	1.0	\$13.11
18	DOOR - #1 ENTRANCE	0020401630	\$302.81	2.5	\$168.41
19	DOOR - #2 ENTRANCE	0020401560	\$312.55	2.5	\$176.20
20	DOOR ASM, SURGE TANK	0020402150	\$64.15	0.5	\$36.55
21	BUMPER EXTENSION, REAR	0020410540	\$695.31	1.5	\$511.94
22	DOOR, RADIATOR	0020402140	\$363.54	3.0	\$202.22
23	PANEL, SKIRT, WHEELHOUSE	0020410560	\$212.94	1.5	\$126.05
24	PANEL, A/C HOUSING	0020402220	\$132.22	1.0	\$76.24
25	DOOR - #3 EXIT	0020417000	\$373.27	2.0	\$239.54
26	WINDOW - SIDE, REAR QUARTER	0312101760	\$269.05	1.0	\$185.70
27	PANEL, SKIRT,WHEELHOUSE	0020401500	\$221.48	1.5	\$132.88
28	PANEL, SKIRT, DRIVER	0020409201	\$282.62	4.0	\$107.95



# PARTS LISTING

## GMC RTS 8200 - 9139 SERIES

LABOR RATE: \$36.92

10/26/93

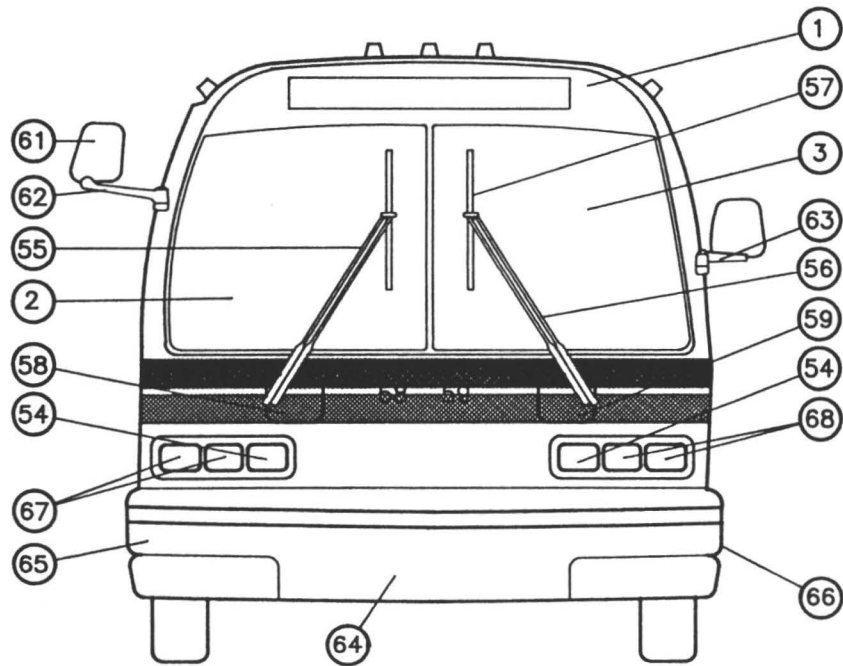
MATERIAL SURCHARGE: 25%

REF. NO.	DESCRIPTION	MTA PART NUMBER	TOTAL COST \$	LABOR HOUR	MATERIAL COST \$
29	PANEL, DRIVERS WINDOW	0020411880	\$411.79	8.0	\$93.14
30	PANEL, COMP. DOOR, UPPER	0020400210	\$194.43	2.5	\$81.70
31	PANEL, COMP. DOOR, LOWER	0020411610	\$185.42	1.0	\$118.80
32	PANEL, SKIRT, WHEELHOUSE	0020401240	\$246.76	1.5	\$153.10
33	PANEL, INTERMEDIATE, LARGE	0020401230	\$360.70	3.0	\$199.95
34	PANEL, BELT LINE	0020401870	\$1,172.30	8.0	\$701.55
35	PANEL, INTERMEDIATE, SMALL	0020401510	\$345.60	3.0	\$187.87
36	PANEL, FUEL FILLER	0020400220	\$277.64	3.0	\$133.50
37	DOOR, FUEL FILLER	0020411920	\$75.15	1.0	\$30.58
38	PANEL, A/C HOUSING	0020402230	\$132.22	1.0	\$76.24
39	DOOR - #4 EXIT	0020400600	\$358.90	2.0	\$228.05
40	PANEL, SKIRT, WHEELHOUSE	0020401220	\$234.13	1.5	\$143.00
41	DOOR, TRANSMISSION	0020401790	\$465.65	3.0	\$283.91
42	BUMPER EXTENSION, REAR	0020402960	\$695.31	1.5	\$511.94
43	LAMP - STOP & TAIL	0020900790	\$14.33	0.3	\$4.08
44	LAMP - TURN	0020900790	\$16.18	0.3	\$4.08
45	LAMP - BACK UP	0020906210	\$17.16	0.3	\$4.87
46	LAMP - RELFEX	0020900780	\$18.20	0.3	\$5.70
47	BEZEL, LIGHT PANEL ENG. DOOR	0020900390	\$45.81	0.3	\$27.79
48	DOOR ASSY, REAR ENGINE	0020412130	\$1,326.66	3.0	\$972.72
49	PANEL, A/C FREON ACCESS	0020402210	\$212.90	0.5	\$155.55
50	DOOR - OIL INSP.	0020411830	\$48.26	0.3	\$29.75
51	PANEL, A/C EXHAUST	0020402430	\$464.32	1.0	\$341.92
52	BUMPER ASSY, REAR	0020410650	\$1,036.86	1.0	\$799.95
53	HOUSING, A/C	0020420070	\$1,231.75	8.0	\$749.11
54	TURN LAMP ASSY, AMBER	0020906549	\$35.02	0.5	\$13.25
55	ARM ASSY, WIPER DRIVE, C/S	0110401870	\$135.80	1.0	\$79.10
56	ARM ASSY, WIPER DRIVE, S/S	0110401790	\$127.32	1.0	\$72.32



# FRONT

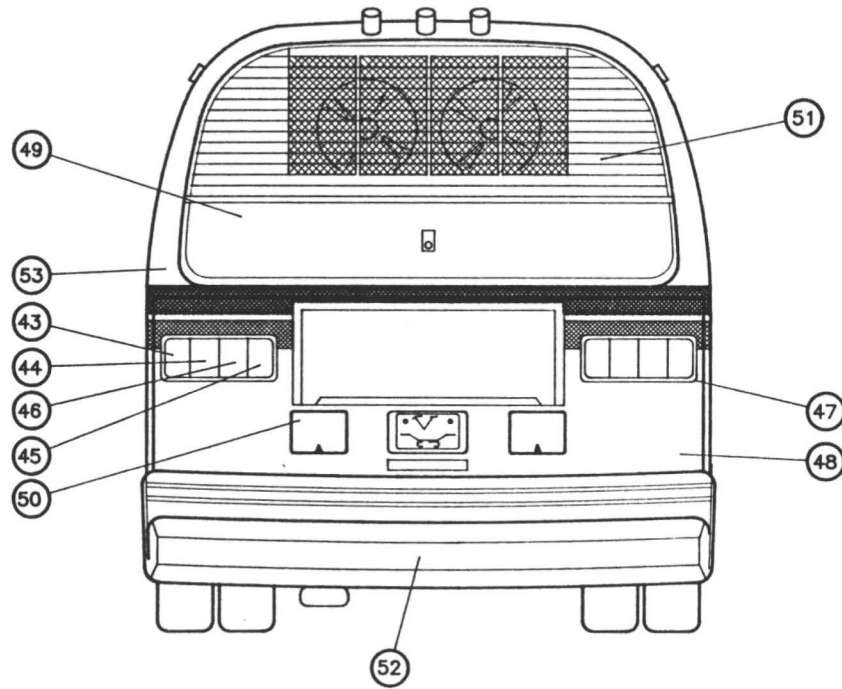
GMC/RTS 8200 - 9139 SERIES





# REAR

GMC/RTS 8200 - 9139 SERIES

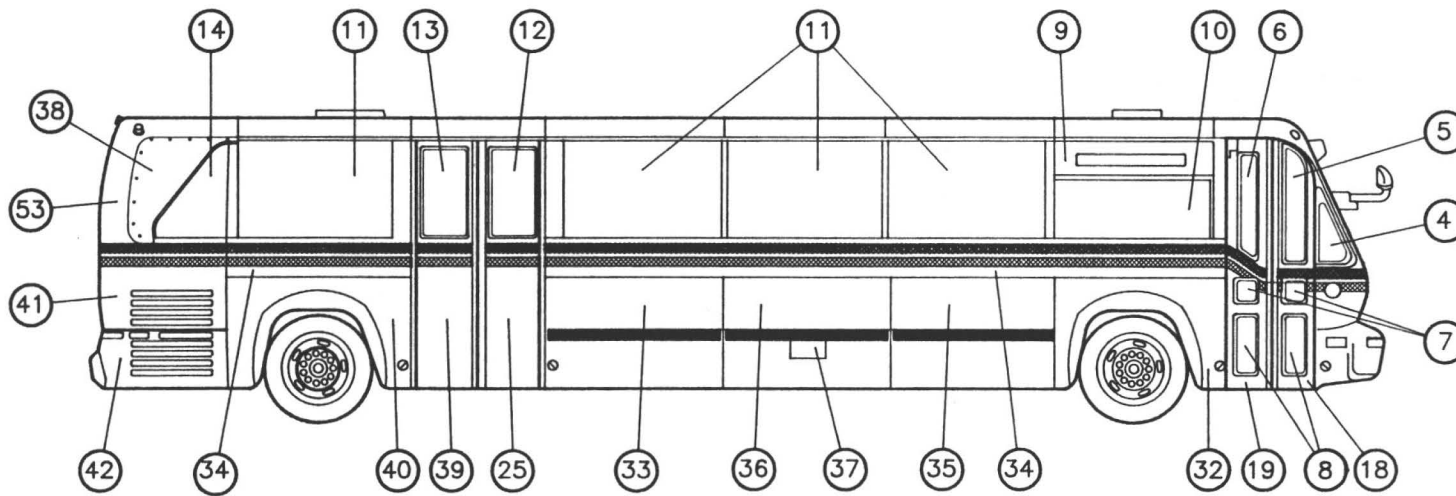






# CURB SIDE

GMC/RTS 8200 - 9139 SERIES





# STREET SIDE

GMC/RTS 8200 - 9139 SERIES

