

LEGEND

- BRT AND MIXED TRAFFIC
- BRT STATION AREA

THE PREPARATION OF THIS DRAWING HAS BEEN FINANCED IN PART THROUGH A GRANT FROM THE U.S. DEPARTMENT OF TRANSPORTATION, FEDERAL TRANSIT ADMINISTRATION (FTA), UNDER THE FEDERAL TRANSIT ACT OF 1964, AS AMENDED, AND IN PART BY THE TAXES OF THE CITIZENS OF LOS ANGELES COUNTY AND OF THE STATE OF CALIFORNIA.

| REV | DATE | BY | APP | REG NO | EXPIRES | SEAL HOLDER | DESCRIPTION |
|-----|------|----|-----|--------|---------|-------------|-------------|
| | | | | | | | |
| | | | | | | | |
| | | | | | | | |
| | | | | | | | |

| |
|-------------|
| DESIGNED BY |
| DRAWN BY |
| CHECKED BY |
| IN CHARGE |
| DATE |

LOS ANGELES COUNTY METROPOLITAN TRANSPORTATION AUTHORITY

Crenshaw Transit Corridor Project

Parsons Brinckerhoff

In Association with
Jenkins Gales Martinez, Inc.

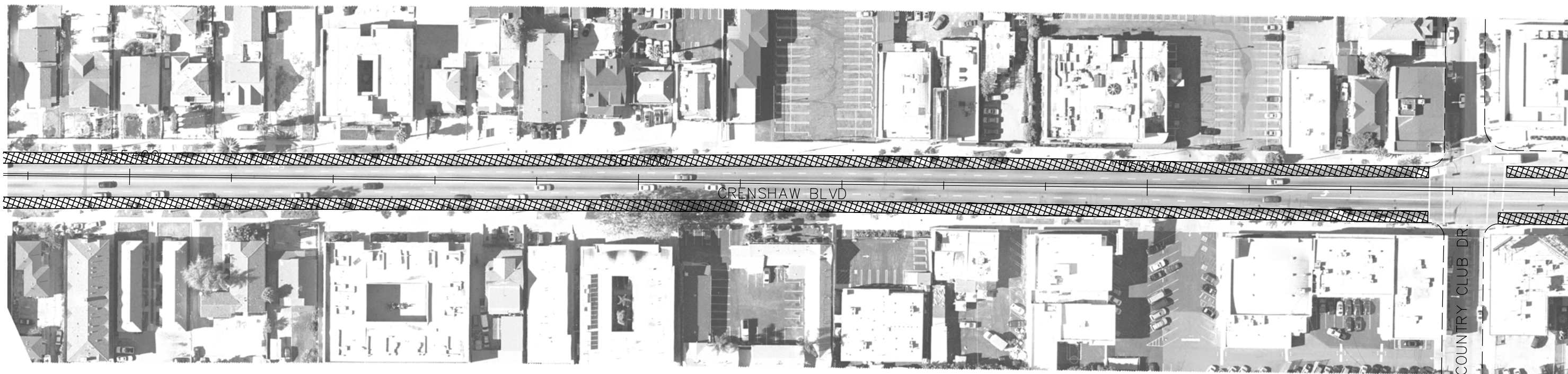
PROJECT MANAGER

BUS RAPID TRANSIT

PLAN

STA 541+00 TO STA 554+00

| | |
|-----------------------------|----------|
| CONTRACT NO PS-4330-1968 | |
| DRAWING NO C-143 | REV 0 |
| SCALE 1"=100' | |
| SHEET NO | |



LEGEND

 BRT AND MIXED TRAFFIC

THE PREPARATION OF THIS DRAWING HAS BEEN FINANCED IN PART THROUGH A GRANT FROM THE U.S. DEPARTMENT OF TRANSPORTATION, FEDERAL TRANSIT ADMINISTRATION (FTA), UNDER THE FEDERAL TRANSIT ACT OF 1964, AS AMENDED, AND IN PART BY THE TAXES OF THE CITIZENS OF LOS ANGELES COUNTY AND OF THE STATE OF CALIFORNIA.

| REV | DATE | BY | APP | REG NO | EXPIRES | SEAL HOLDER | DESCRIPTION |
|-----|------|----|-----|--------|---------|-------------|-------------|
| | | | | | | | |
| | | | | | | | |
| | | | | | | | |
| | | | | | | | |

| |
|-------------|
| DESIGNED BY |
| DRAWN BY |
| CHECKED BY |
| IN CHARGE |
| DATE |

M Metro **LOS ANGELES COUNTY METROPOLITAN TRANSPORTATION AUTHORITY**
Crenshaw Transit Corridor Project

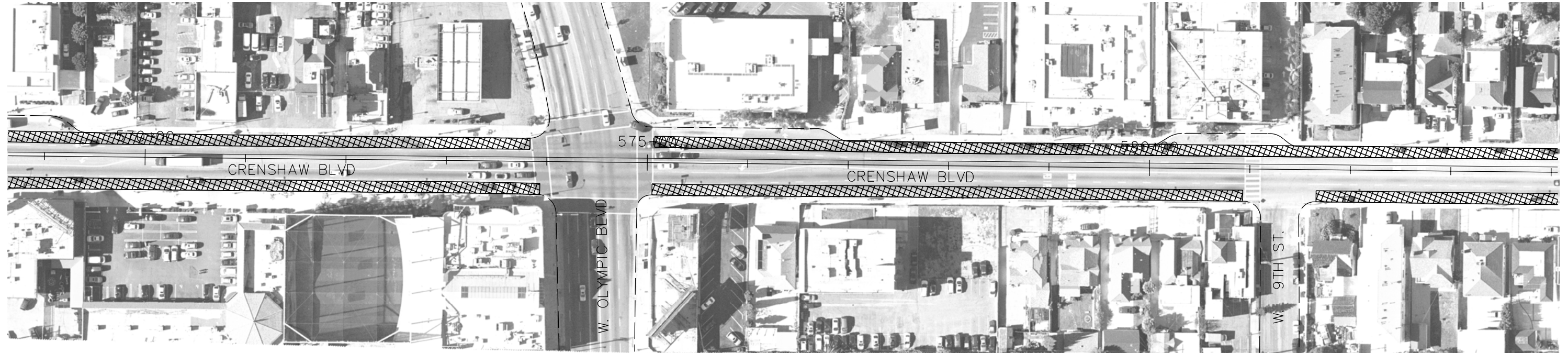
PB Parsons Brinckerhoff
In Association with Jenkins Gales Martinez, Inc.

PROJECT MANAGER

BUS RAPID TRANSIT

PLAN
STA 554+00 TO STA 569+00

| | |
|-----------------------------|----------|
| CONTRACT NO PS-4330-1968 | |
| DRAWING NO C-144 | REV 0 |
| SCALE 1"=100' | |
| SHEET NO | |



LEGEND

 BRT AND MIXED TRAFFIC

THE PREPARATION OF THIS DRAWING HAS BEEN FINANCED IN PART THROUGH A GRANT FROM THE U.S. DEPARTMENT OF TRANSPORTATION, FEDERAL TRANSIT ADMINISTRATION (FTA), UNDER THE FEDERAL TRANSIT ACT OF 1964, AS AMENDED, AND IN PART BY THE TAXES OF THE CITIZENS OF LOS ANGELES COUNTY AND OF THE STATE OF CALIFORNIA.

| REV | DATE | BY | APP | REG NO | EXPIRES | SEAL HOLDER | DESCRIPTION |
|-----|------|----|-----|--------|---------|-------------|-------------|
| | | | | | | | |
| | | | | | | | |
| | | | | | | | |
| | | | | | | | |

| | |
|-------------|--|
| DESIGNED BY | |
| DRAWN BY | |
| CHECKED BY | |
| IN CHARGE | |
| DATE | |



LOS ANGELES COUNTY METROPOLITAN TRANSPORTATION AUTHORITY

Crenshaw Transit Corridor Project

Parsons Brinckerhoff

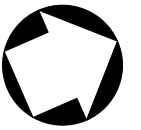
In Association with
Jenkins Gales Martinez, Inc.

PROJECT MANAGER

BUS RAPID TRANSIT

PLAN
STA 569+00 TO STA 584+00

| | | |
|-------------|---------|--------------|
| CONTRACT NO | | PS-4330-1968 |
| DRAWING NO | C-145 | REV 0 |
| SCALE | 1"=100' | |
| SHEET NO | | |



LEGEND

 BRT AND MIXED TRAFFIC

THE PREPARATION OF THIS DRAWING HAS BEEN FINANCED IN PART THROUGH A GRANT FROM THE U.S. DEPARTMENT OF TRANSPORTATION, FEDERAL TRANSIT ADMINISTRATION (FTA), UNDER THE FEDERAL TRANSIT ACT OF 1964, AS AMENDED, AND IN PART BY THE TAXES OF THE CITIZENS OF LOS ANGELES COUNTY AND OF THE STATE OF CALIFORNIA.

| REV | DATE | BY | APP | REG NO | EXPIRES | SEAL HOLDER | DESCRIPTION |
|-----|------|----|-----|--------|---------|-------------|-------------|
| | | | | | | | |
| | | | | | | | |
| | | | | | | | |
| | | | | | | | |

| |
|-------------|
| DESIGNED BY |
| DRAWN BY |
| CHECKED BY |
| IN CHARGE |
| DATE |



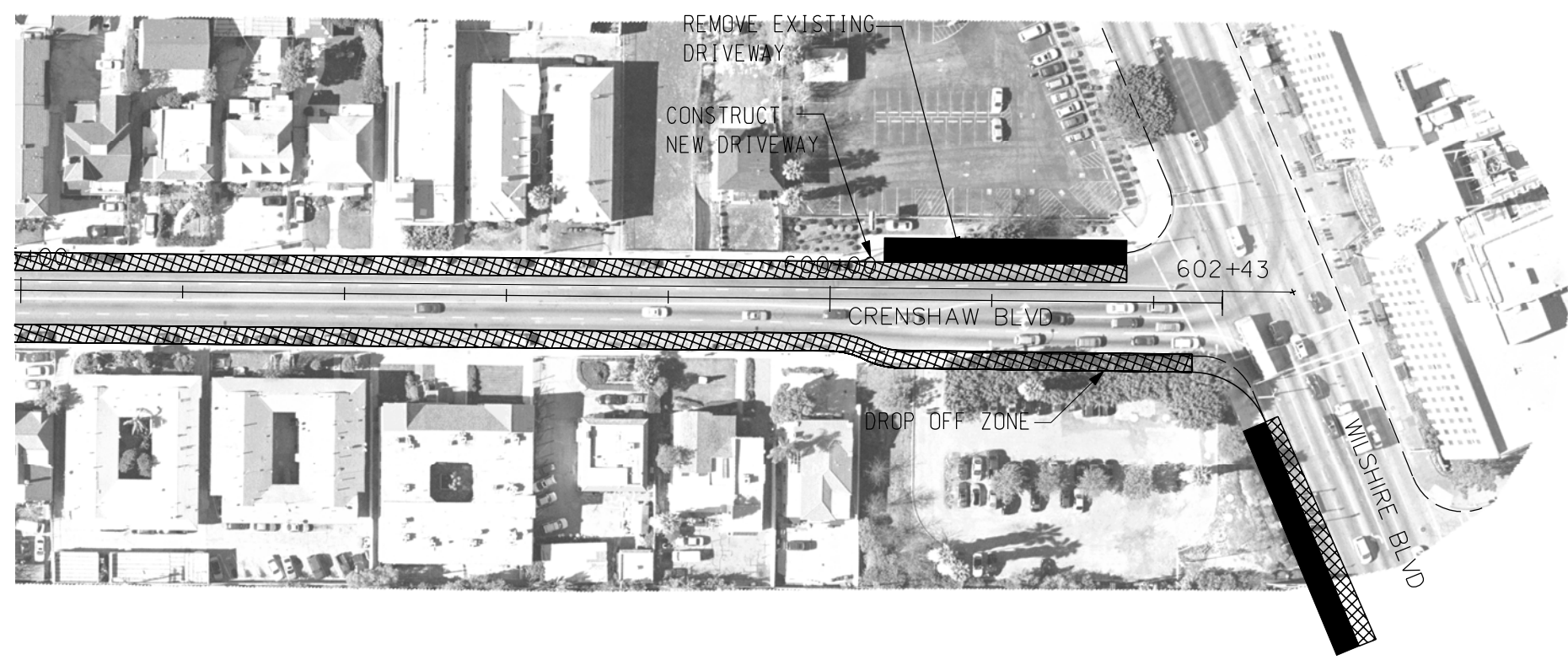
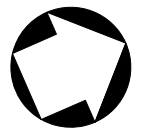
LOS ANGELES COUNTY METROPOLITAN TRANSPORTATION AUTHORITY
Crenshaw Transit Corridor Project

Parsons Brinckerhoff
In Association with
Jenkins Gales Martinez, Inc.

PROJECT MANAGER

BUS RAPID TRANSIT
PLAN
STA 584+00 TO STA 597+00

| | |
|-----------------------------|----------|
| CONTRACT NO PS-4330-1968 | |
| DRAWING NO C-146 | REV 0 |
| SCALE 1"=100' | |
| SHEET NO | |



LEGEND

- BRT AND MIXED TRAFFIC
- BRT STATION AREA

THE PREPARATION OF THIS DRAWING HAS BEEN FINANCED IN PART THROUGH A GRANT FROM THE U.S. DEPARTMENT OF TRANSPORTATION, FEDERAL TRANSIT ADMINISTRATION (FTA), UNDER THE FEDERAL TRANSIT ACT OF 1964, AS AMENDED, AND IN PART BY THE TAXES OF THE CITIZENS OF LOS ANGELES COUNTY AND OF THE STATE OF CALIFORNIA.

| REV | DATE | BY | APP | REG NO | EXPIRES | SEAL HOLDER | DESCRIPTION |
|-----|------|----|-----|--------|---------|-------------|-------------|
| | | | | | | | |
| | | | | | | | |
| | | | | | | | |
| | | | | | | | |
| | | | | | | | |
| | | | | | | | |
| | | | | | | | |
| | | | | | | | |
| | | | | | | | |
| | | | | | | | |

| | |
|-------------|--|
| DESIGNED BY | |
| DRAWN BY | |
| CHECKED BY | |
| IN CHARGE | |
| DATE | |

M Metro **LOS ANGELES COUNTY METROPOLITAN TRANSPORTATION AUTHORITY**
Crenshaw Transit Corridor Project

PB 100 YEARS **Parsons Brinckerhoff**
 In Association with **Jenkins Gales Martinez, Inc.**

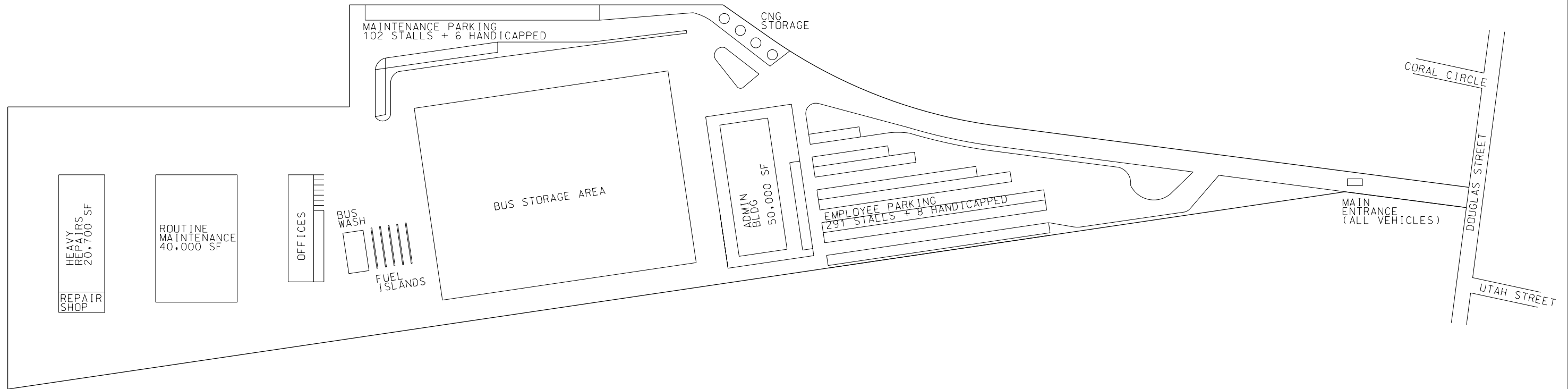
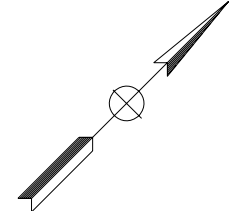
PROJECT MANAGER

BUS RAPID TRANSIT

PLAN
 STA 597+00 TO END

| | | | |
|-------------|--------------|-----|---|
| CONTRACT NO | PS-4330-1968 | | |
| DRAWING NO | C-147 | REV | 0 |
| SCALE | 1"=100' | | |
| SHEET NO | | | |

CAPACITY: 240 BUSES (STORAGE)
 60 BUSES (MAINTENANCE)
 300 BUSES TOTAL



THE PREPARATION OF THIS DRAWING HAS BEEN FINANCED IN PART THROUGH A GRANT FROM THE U.S. DEPARTMENT OF TRANSPORTATION, FEDERAL TRANSIT ADMINISTRATION (FTA), UNDER THE FEDERAL TRANSIT ACT OF 1964, AS AMENDED, AND IN PART BY THE TAXES OF THE CITIZENS OF LOS ANGELES COUNTY AND OF THE STATE OF CALIFORNIA.

| REV | DATE | BY | APP | REG NO | EXPIRES | SEAL HOLDER | DESCRIPTION |
|-----|------|----|-----|--------|---------|-------------|-------------|
| | | | | | | | |
| | | | | | | | |
| | | | | | | | |
| | | | | | | | |

| | |
|-------------|--|
| DESIGNED BY | |
| DRAWN BY | |
| CHECKED BY | |
| IN CHARGE | |
| DATE | |

M Metro LOS ANGELES COUNTY METROPOLITAN TRANSPORTATION AUTHORITY
 Crenshaw Transit Corridor Project

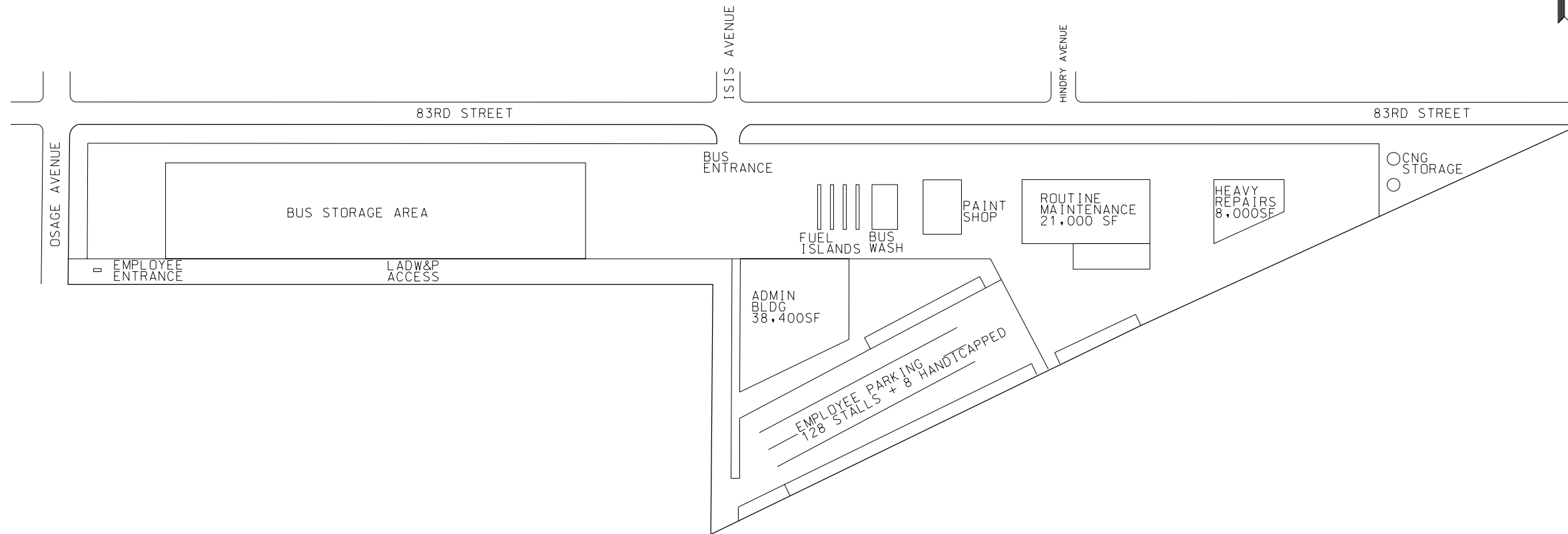
PB Parsons Brinckerhoff Inc.
 In Association with Jenkins Gales Martinez, Inc.

PROJECT MANAGER

**BUS RAPID TRANSIT
 O & M FACILITY
 SITE " D "**

| | |
|-------------|--------------|
| CONTRACT NO | PS-4330-1968 |
| DRAWING NO | C-148 |
| SCALE | 1"=200' |
| SHEET NO | |

CAPACITY: 80 BUSES (STORAGE)
 20 BUSES (MAINTENANCE)
 100 BUSES TOTAL



THE PREPARATION OF THIS DRAWING HAS BEEN FINANCED IN PART THROUGH A GRANT FROM THE U.S. DEPARTMENT OF TRANSPORTATION, FEDERAL TRANSIT ADMINISTRATION (FTA), UNDER THE FEDERAL TRANSIT ACT OF 1964, AS AMENDED, AND IN PART BY THE TAXES OF THE CITIZENS OF LOS ANGELES COUNTY AND OF THE STATE OF CALIFORNIA.

| REV | DATE | BY | APP | REG NO | EXPIRES | SEAL HOLDER | DESCRIPTION |
|-----|------|----|-----|--------|---------|-------------|-------------|
| | | | | | | | |
| | | | | | | | |
| | | | | | | | |
| | | | | | | | |
| | | | | | | | |
| | | | | | | | |
| | | | | | | | |
| | | | | | | | |

| | |
|-------------|--|
| DESIGNED BY | |
| DRAWN BY | |
| CHECKED BY | |
| IN CHARGE | |
| DATE | |

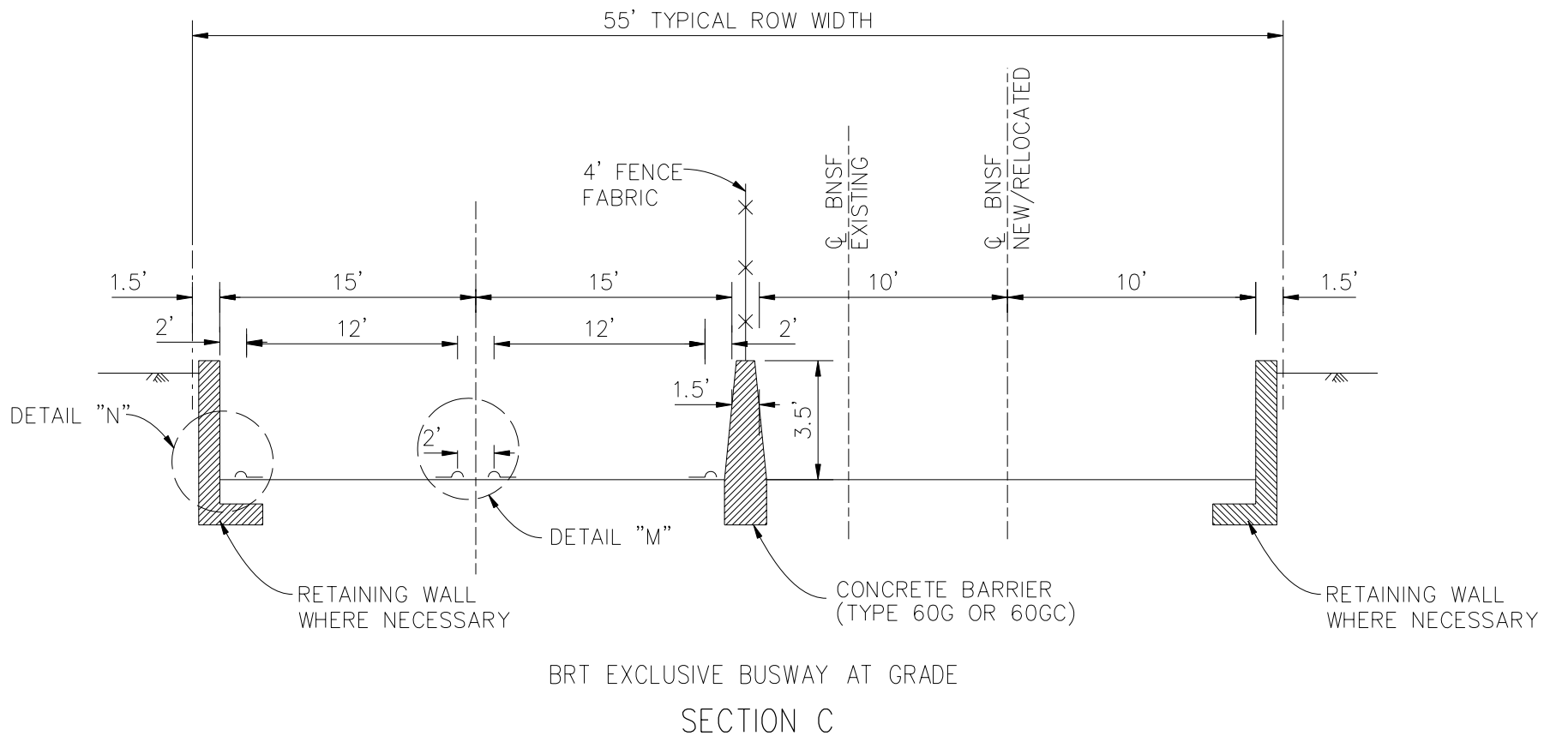
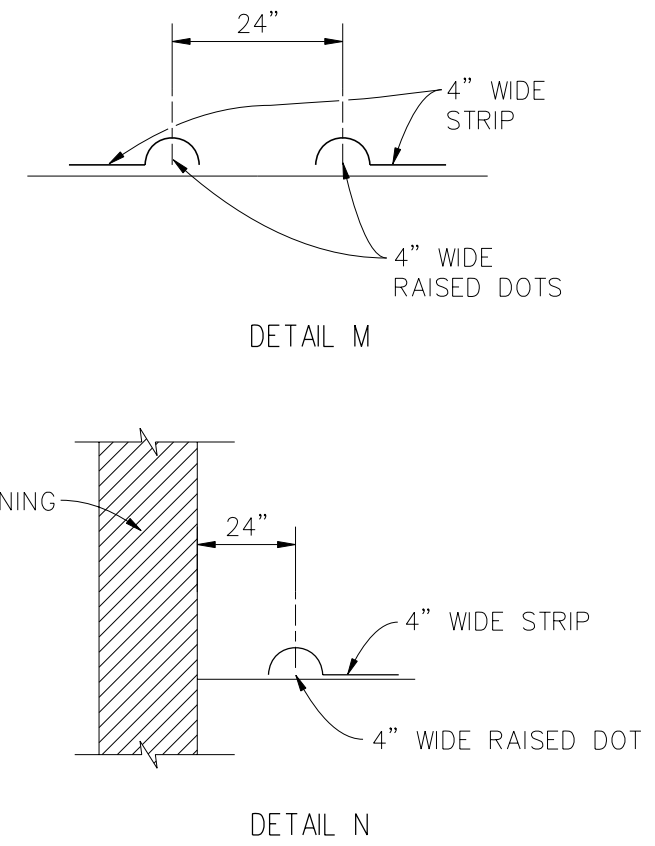
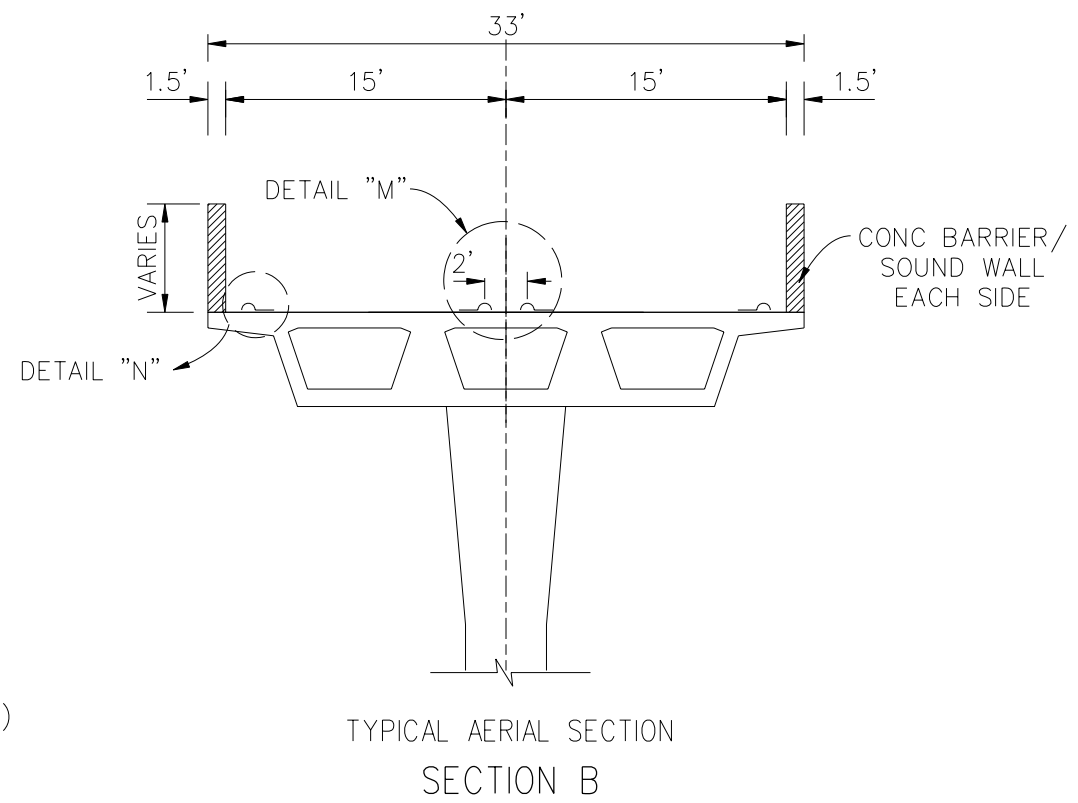
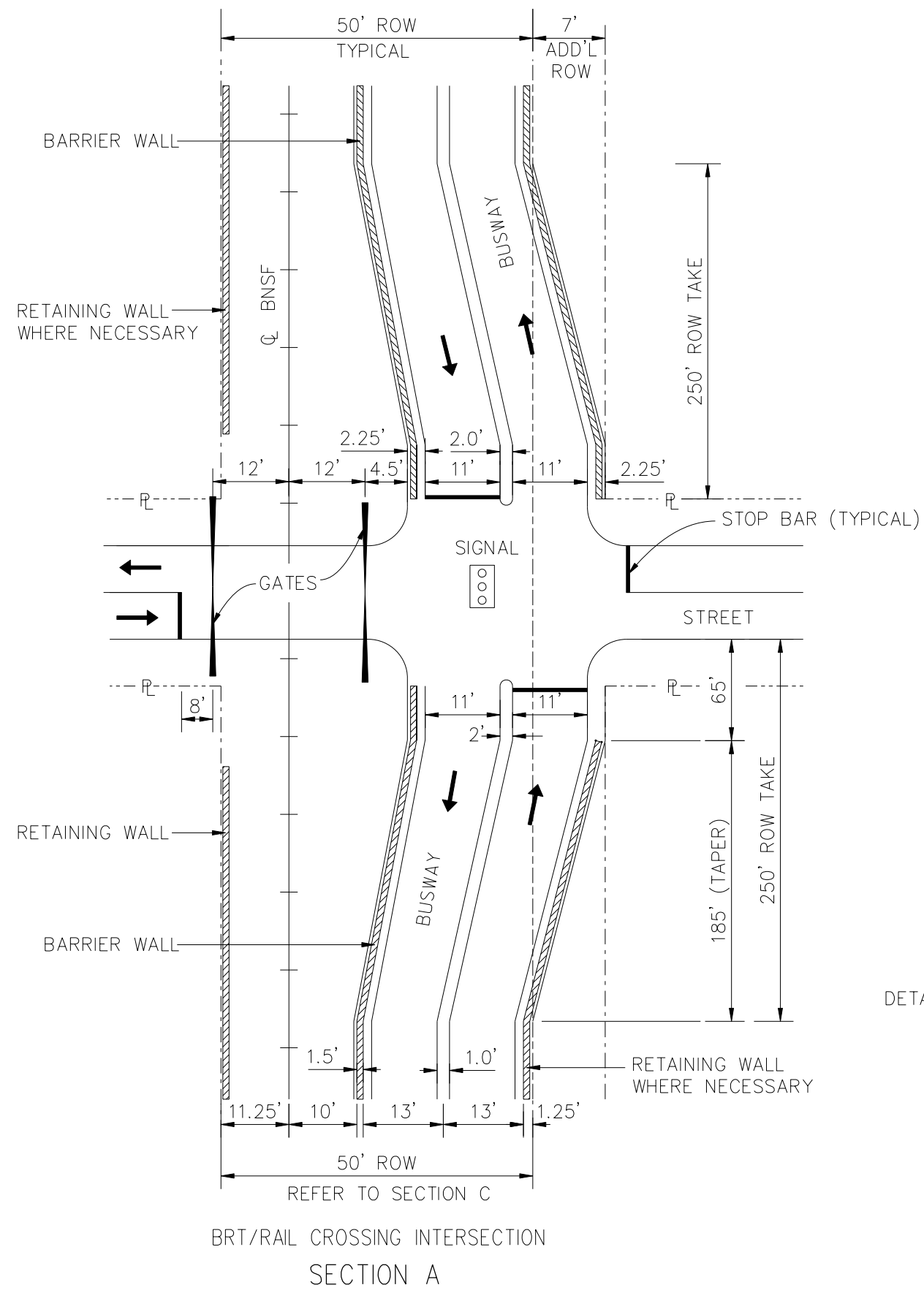
M Metro **LOS ANGELES COUNTY METROPOLITAN TRANSPORTATION AUTHORITY**
 Crenshaw Transit Corridor Project

PB **Parsons Brinckerhoff Inc.**
 In Association with Jenkins Gales Martinez, Inc.

PROJECT MANAGER

BUS RAPID TRANSIT O & M FACILITY SITE "B"

| | |
|-------------|--------------|
| CONTRACT NO | PS-4330-1968 |
| DRAWING NO | C-149 |
| SCALE | 1"=200' |
| SHEET NO | |



| | | | | | | |
|---|------|----|-----|--------|---------|-------------|
| THE PREPARATION OF THIS DRAWING HAS BEEN FINANCED IN PART THROUGH A GRANT FROM THE U.S. DEPARTMENT OF TRANSPORTATION, FEDERAL TRANSIT ADMINISTRATION (FTA), UNDER THE FEDERAL TRANSIT ACT OF 1964, AS AMENDED, AND IN PART BY THE TAXES OF THE CITIZENS OF LOS ANGELES COUNTY AND OF THE STATE OF CALIFORNIA. | | | | | | |
| REV | DATE | BY | APP | REG NO | EXPIRES | SEAL HOLDER |
| | | | | | | |
| | | | | | | |
| | | | | | | |
| | | | | | | |
| | | | | | | |
| | | | | | | |
| | | | | | | |
| | | | | | | |
| | | | | | | |
| | | | | | | |

| | |
|-------------|--|
| DESIGNED BY | |
| DRAWN BY | |
| CHECKED BY | |
| IN CHARGE | |
| DATE | |

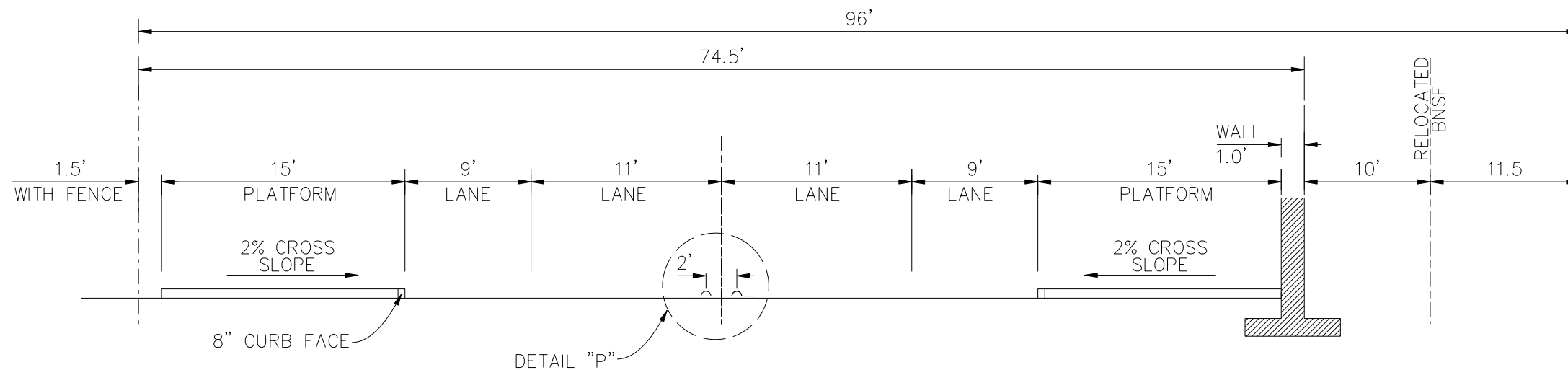
M Metro
LOS ANGELES COUNTY METROPOLITAN TRANSPORTATION AUTHORITY
Crenshaw Transit Corridor Project

PB Parsons Brinckerhoff
 In Association with
 Jenkins Gales Martinez, Inc.

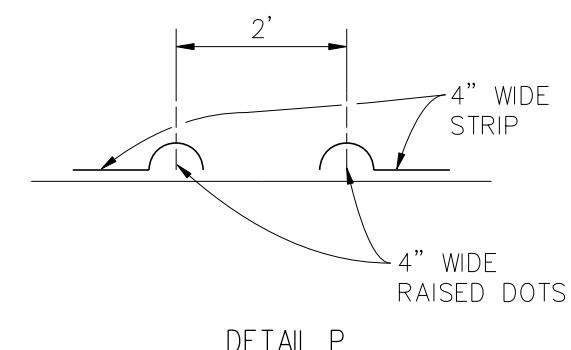
PROJECT MANAGER

BUS RAPID TRANSIT
BUS WAY
TYPICAL SECTIONS

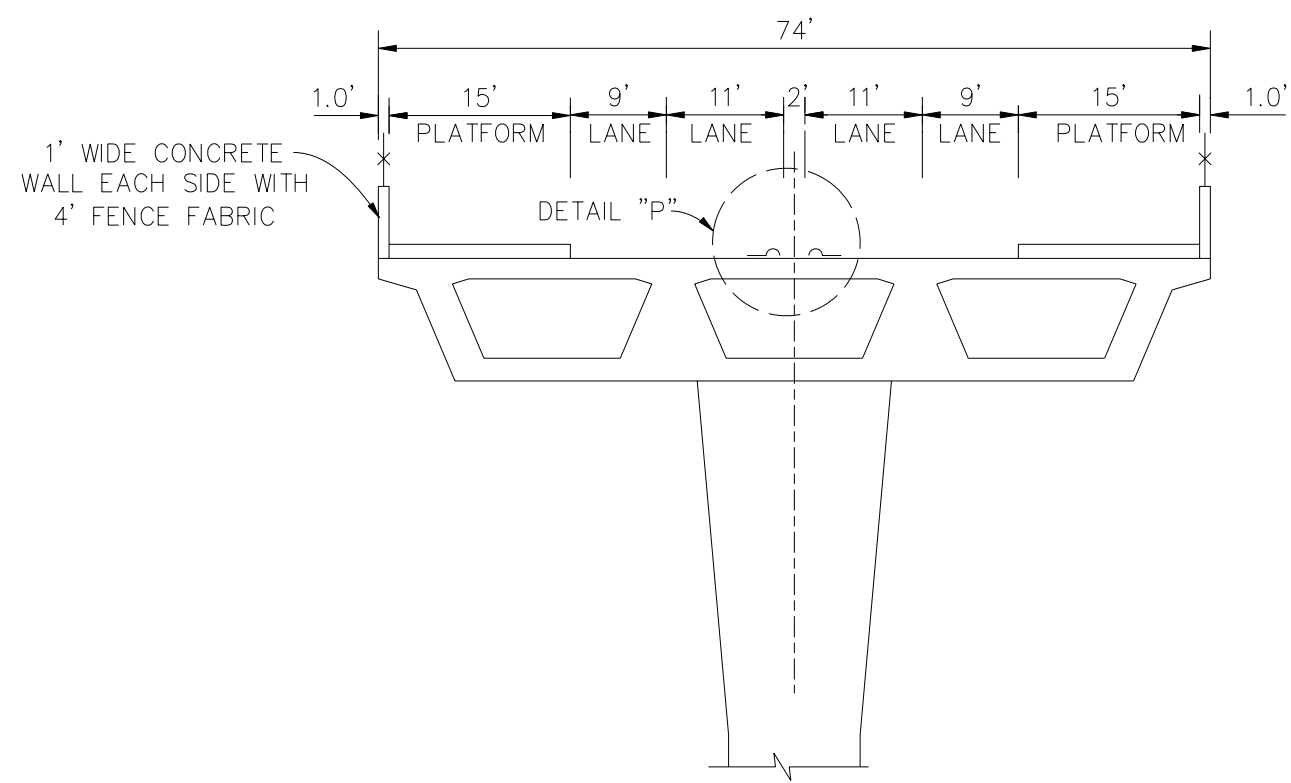
CONTRACT NO. PS-4330-1968
 DRAWING NO. C-201 REV. 0
 SCALE: NO SCALE
 SHEET NO.



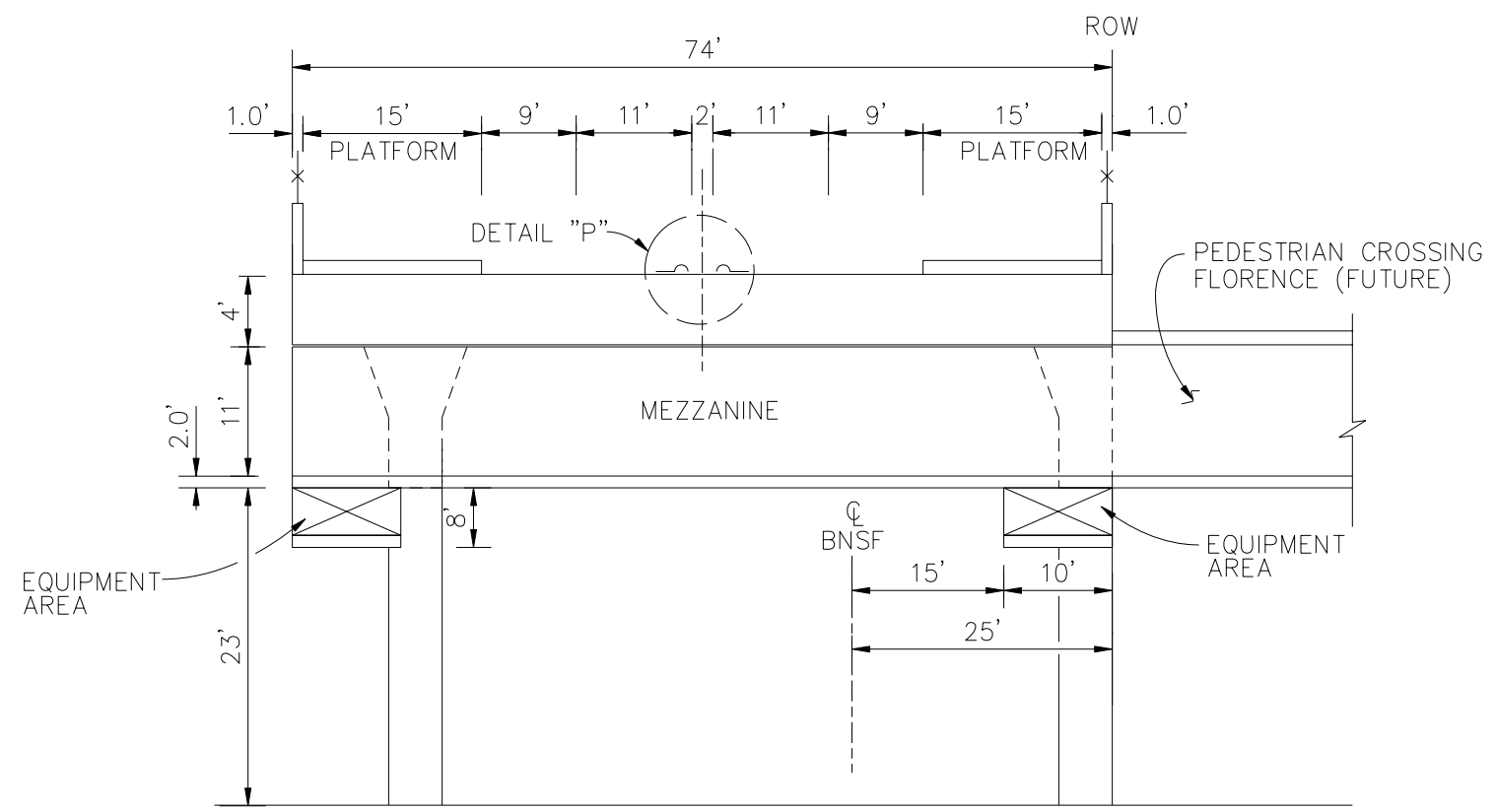
BRT PLATFORM-AT GRADE
MANCHESTER AND FLORENCE STATIONS
SECTION D



DETAIL P



BRT PLATFORM-AERIAL
CENTURY STATION
SECTION E



BRT PLATFORM-AERIAL
LA BREA STATION
SECTION F

| | | | | | | |
|---|------|----|-----|--------|---------|-------------|
| THE PREPARATION OF THIS DRAWING HAS BEEN FINANCED IN PART THROUGH A GRANT FROM THE U.S. DEPARTMENT OF TRANSPORTATION, FEDERAL TRANSIT ADMINISTRATION (FTA), UNDER THE FEDERAL TRANSIT ACT OF 1964, AS AMENDED, AND IN PART BY THE TAXES OF THE CITIZENS OF LOS ANGELES COUNTY AND OF THE STATE OF CALIFORNIA. | | | | | | |
| REV | DATE | BY | APP | REG NO | EXPIRES | SEAL HOLDER |
| | | | | | | |
| | | | | | | |
| | | | | | | |
| | | | | | | |
| | | | | | | |

| | |
|-------------|--|
| DESIGNED BY | |
| DRAWN BY | |
| CHECKED BY | |
| IN CHARGE | |
| DATE | |

M Metro LOS ANGELES COUNTY METROPOLITAN TRANSPORTATION AUTHORITY
Crenshaw Transit Corridor Project

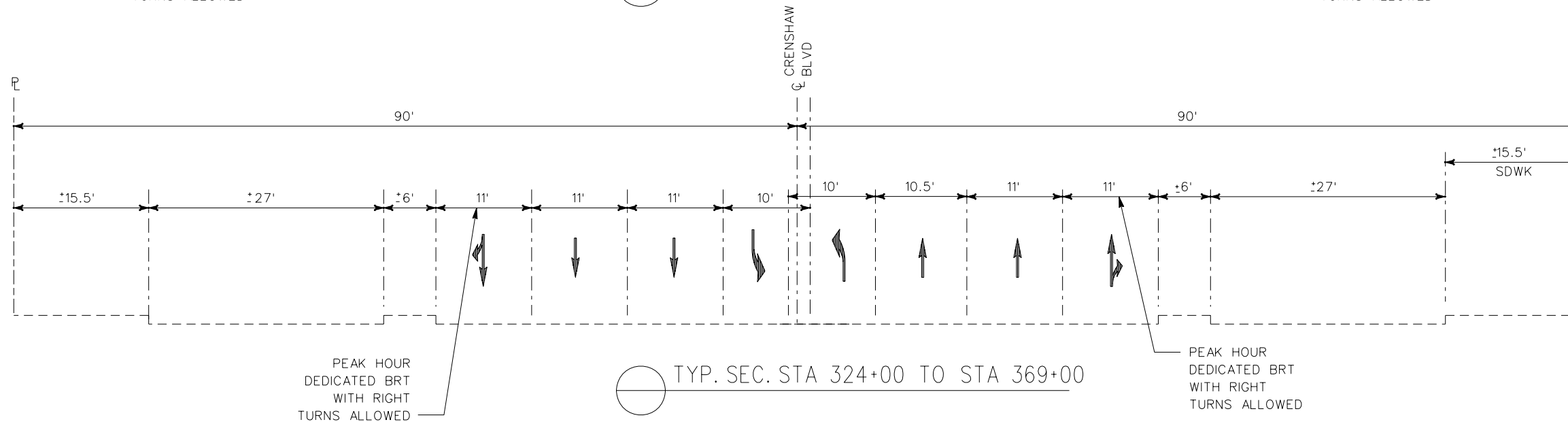
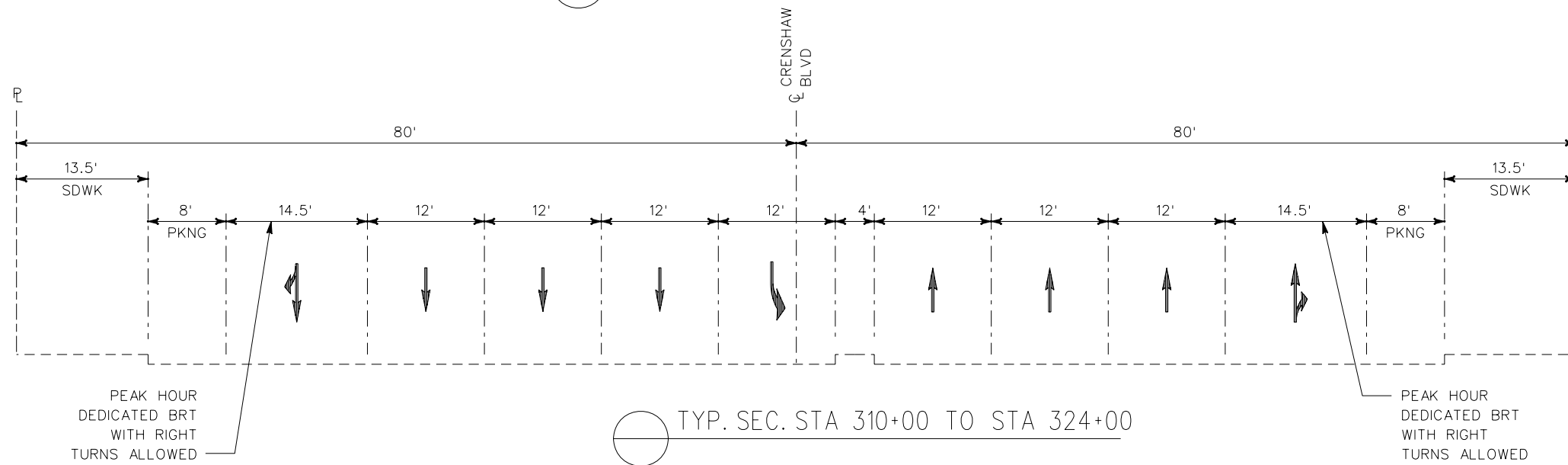
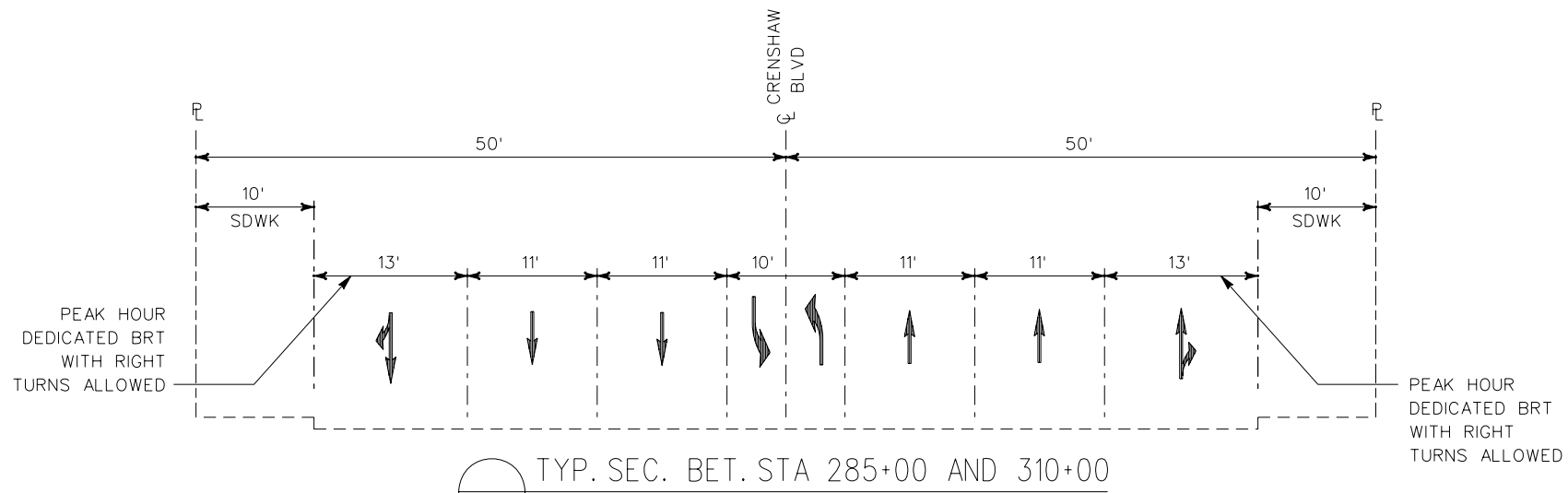
PB Parsons Brinckerhoff
In Association with Jenkins Gales Martinez, Inc.

PROJECT MANAGER

BUS RAPID TRANSIT

TYPICAL SECTIONS STATIONS

| | |
|-------------|--------------|
| CONTRACT NO | PS-4330-1968 |
| DRAWING NO | C-202 |
| SCALE | NO SCALE |
| SHEET NO | |



THE PREPARATION OF THIS DRAWING HAS BEEN FINANCED IN PART THROUGH A GRANT FROM THE U.S. DEPARTMENT OF TRANSPORTATION, FEDERAL TRANSIT ADMINISTRATION (FTA), UNDER THE FEDERAL TRANSIT ACT OF 1964, AS AMENDED, AND IN PART BY THE TAXES OF THE CITIZENS OF LOS ANGELES COUNTY AND OF THE STATE OF CALIFORNIA.

| REV | DATE | BY | APP | REG NO | EXPIRES | SEAL HOLDER | DESCRIPTION |
|-----|------|----|-----|--------|---------|-------------|-------------|
| | | | | | | | |

| | |
|-------------|--|
| DESIGNED BY | |
| DRAWN BY | |
| CHECKED BY | |
| IN CHARGE | |
| DATE | |

M Metro LOS ANGELES COUNTY METROPOLITAN TRANSPORTATION AUTHORITY
Crenshaw Transit Corridor Project

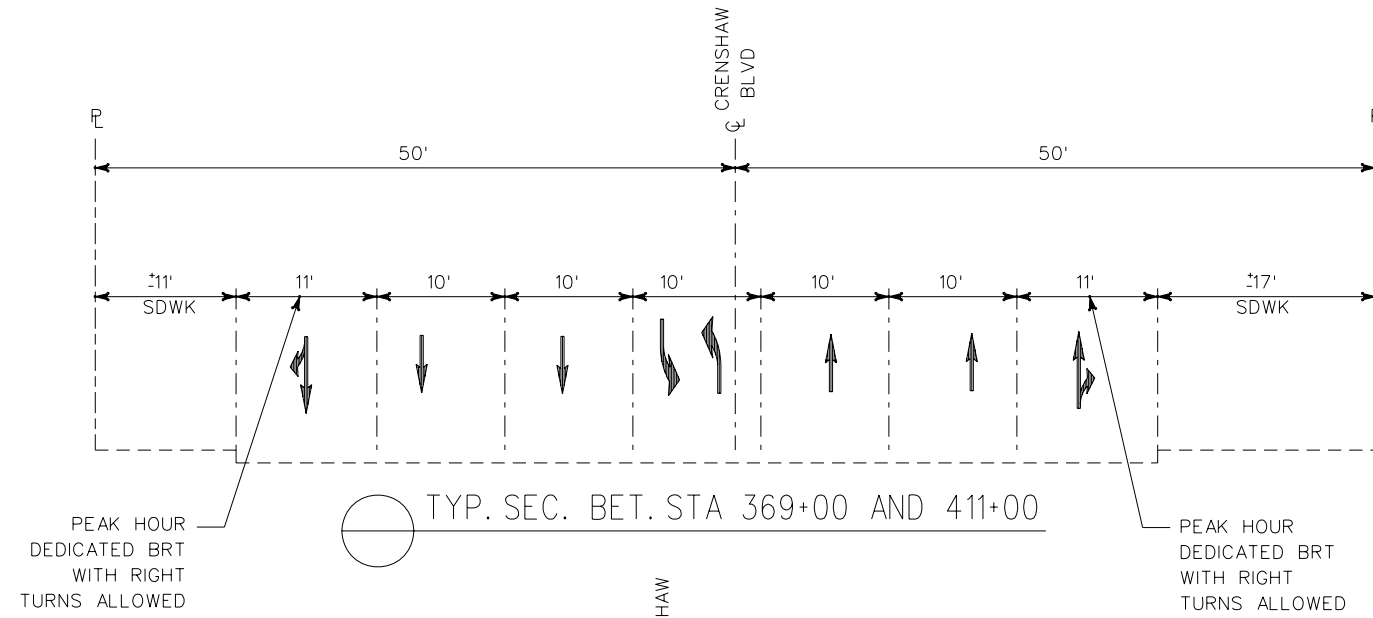
PB Parsons Brinckerhoff
 In Association with Jenkins Gales Martinez, Inc.

PROJECT MANAGER

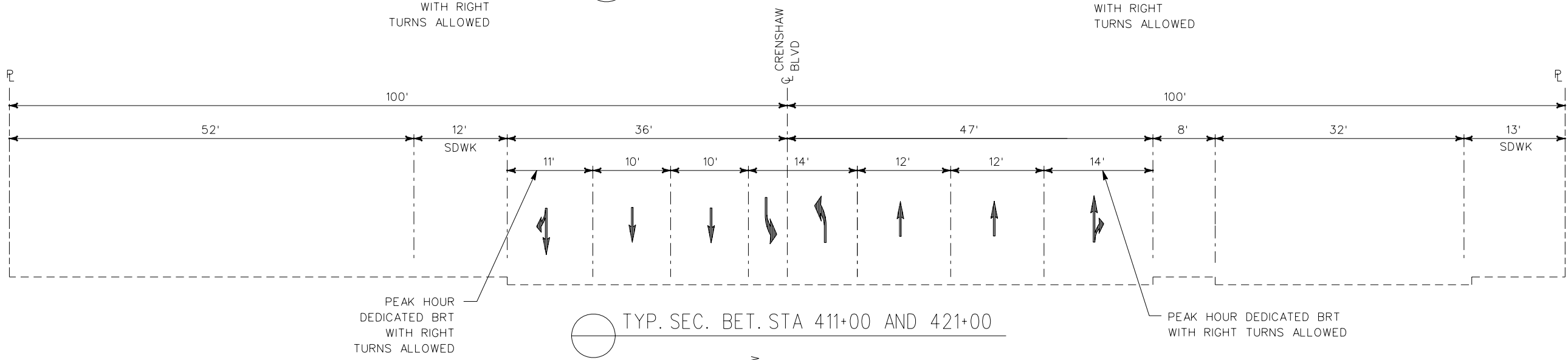
BUS RAPID TRANSIT

TYPICAL SECTIONS

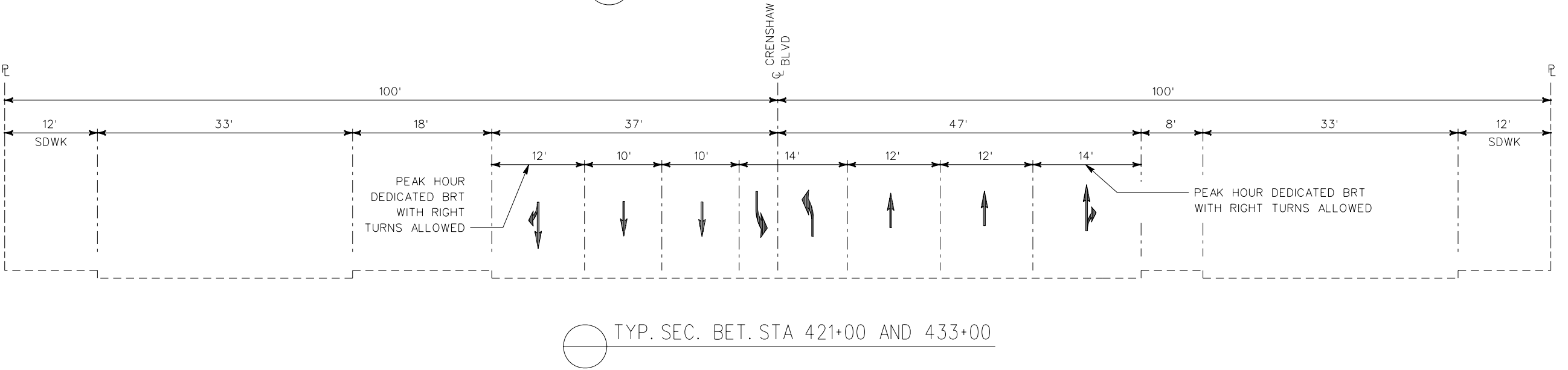
| | |
|-------------|--------------|
| CONTRACT NO | PS-4330-1968 |
| DRAWING NO | C-203 |
| SCALE | NO SCALE |
| SHEET NO | |



TYP. SEC. BET. STA 369+00 AND 411+00



TYP. SEC. BET. STA 411+00 AND 421+00



TYP. SEC. BET. STA 421+00 AND 433+00

THE PREPARATION OF THIS DRAWING HAS BEEN FINANCED IN PART THROUGH A GRANT FROM THE U.S. DEPARTMENT OF TRANSPORTATION, FEDERAL TRANSIT ADMINISTRATION (FTA), UNDER THE FEDERAL TRANSIT ACT OF 1964, AS AMENDED, AND IN PART BY THE TAXES OF THE CITIZENS OF LOS ANGELES COUNTY AND OF THE STATE OF CALIFORNIA.

| REV | DATE | BY | APP | REG NO | EXPIRES | SEAL HOLDER | DESCRIPTION |
|-----|------|----|-----|--------|---------|-------------|-------------|
| | | | | | | | |

| | |
|-------------|--|
| DESIGNED BY | |
| DRAWN BY | |
| CHECKED BY | |
| IN CHARGE | |
| DATE | |

M Metro LOS ANGELES COUNTY METROPOLITAN TRANSPORTATION AUTHORITY
Crenshaw Transit Corridor Project

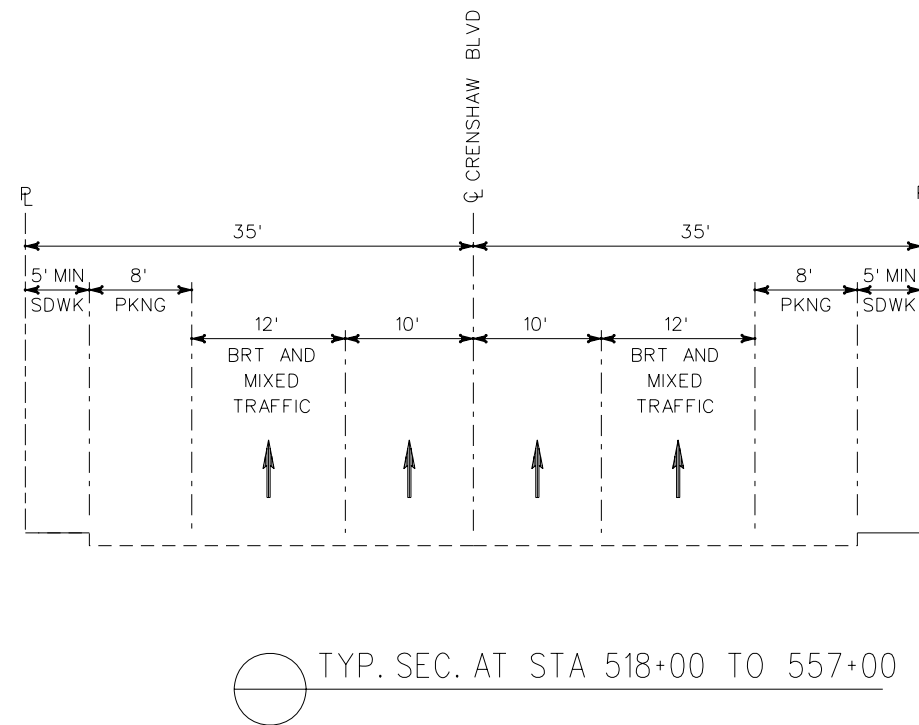
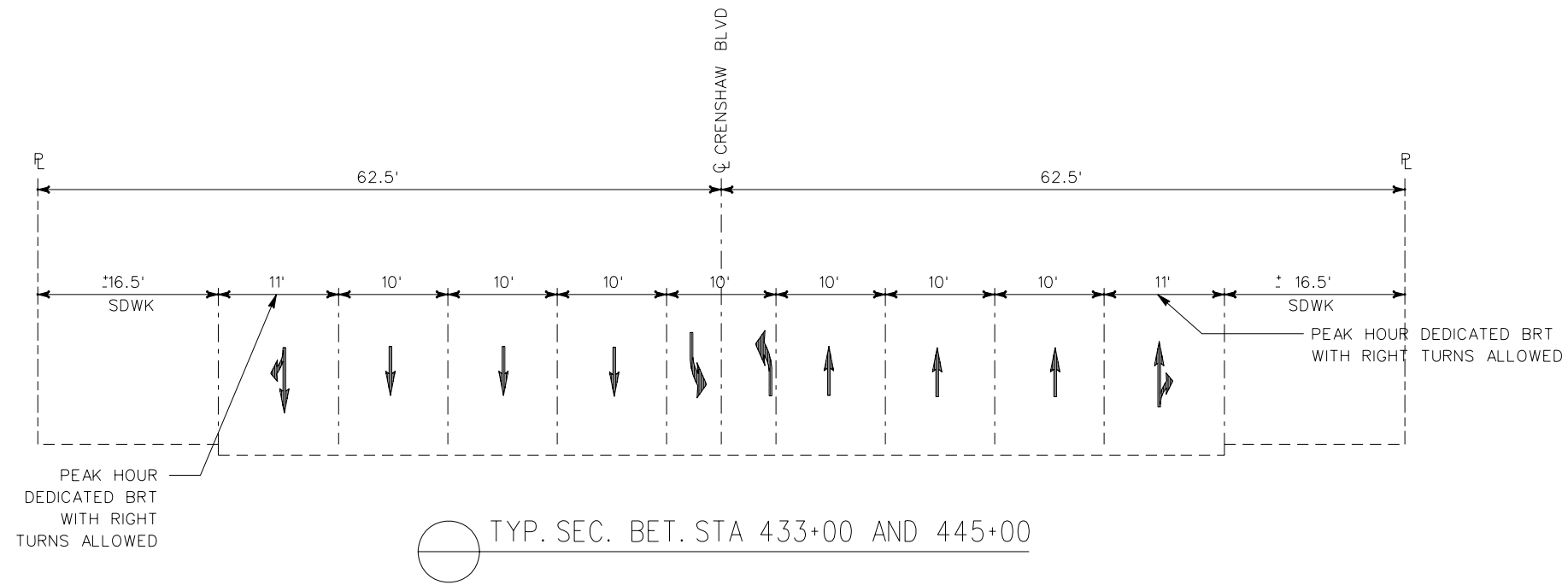
PB Parsons Brinckerhoff
 In Association with Jenkins Gales Martinez, Inc.

PROJECT MANAGER

BUS RAPID TRANSIT

TYPICAL SECTIONS

| | |
|-------------|--------------|
| CONTRACT NO | PS-4330-1968 |
| DRAWING NO | C-204 |
| SCALE | NO SCALE |
| SHEET NO | |



THE PREPARATION OF THIS DRAWING HAS BEEN FINANCED IN PART THROUGH A GRANT FROM THE U.S. DEPARTMENT OF TRANSPORTATION, FEDERAL TRANSIT ADMINISTRATION (FTA), UNDER THE FEDERAL TRANSIT ACT OF 1964, AS AMENDED, AND IN PART BY THE TAXES OF THE CITIZENS OF LOS ANGELES COUNTY AND OF THE STATE OF CALIFORNIA.

| REV | DATE | BY | APP | REG NO | EXPIRES | SEAL HOLDER | DESCRIPTION |
|-----|------|----|-----|--------|---------|-------------|-------------|
| | | | | | | | |
| | | | | | | | |
| | | | | | | | |
| | | | | | | | |

| | |
|-------------|--|
| DESIGNED BY | |
| DRAWN BY | |
| CHECKED BY | |
| IN CHARGE | |
| DATE | |

M Metro LOS ANGELES COUNTY METROPOLITAN TRANSPORTATION AUTHORITY
Crenshaw Transit Corridor Project

PB Parsons Brinckerhoff
In Association with Jenkins Gales Martinez, Inc.

PROJECT MANAGER

BUS RAPID TRANSIT

TYPICAL SECTIONS

| | |
|-------------|--------------|
| CONTRACT NO | PS-4330-1968 |
| DRAWING NO | C-205 |
| SCALE | NO SCALE |
| SHEET NO | |

RIGHTS OF WAY INFORMATION

| AREA | TYPE | USE | APPROX AREA (SF) | Right-of-way Take Full (F) / Partial | LOS ANGELES COUNTY ASSESSOR'S DATA | | | | |
|------|-------------------|---|------------------|--------------------------------------|------------------------------------|------|--------|--|--|
| | | | | | BOOK | PAGE | PARCEL | OWNER | ADDRESS |
| 1 | METRO ACQUISITION | BUSWAY AT GRADE | 3,866 | P | 4129 | 28 | 900 | CITY OF LOS ANGELES | |
| 2 | METRO ACQUISITION | BUSWAY AERIAL | 16,678 | P | 4125 | 26 | 7 | | |
| 3 | METRO ACQUISITION | BUSWAY AT GRADE | 164 | P | 4125 | 20 | 5 | EICHENSTEIN, ISRAEL AND RITA | 5600 ARBOR VITAE ST, LOS ANGELES, CA 90045 |
| 4 | METRO ACQUISITION | BUSWAY AT GRADE | 401 | P | | | | | |
| 5 | METRO ACQUISITION | BUSWAY AT GRADE | 2,052 | P | 4126 | 1 | 11 | | |
| 5A | METRO ACQUISITION | BUSWAY AT GRADE | 9,344 | P | 4126 | 1 | 10 | | |
| 6 | METRO ACQUISITION | BUSWAY AT GRADE | 463 | P | 4127 | 24 | 29 | MANCHESTER LAX PLAZA LLC | 5555 W MANCHESTER AVE, LOS ANGELES, CA 90045 |
| 7 | METRO ACQUISITION | BUSWAY AT GRADE | 120 | P | 4127 | 24 | 902 | | |
| 8A | METRO ACQUISITION | O & M FACILITY SITE B | 62,790 | F | 4127 | 24 | 900 | LA CO FLOOD CONTROL DIST | 5520 83RD ST LOS ANGELES, CA 90045 |
| 8B | METRO ACQUISITION | O & M FACILITY SITE B | 179,835 | F | 4127 | 24 | 901 | LA COUNTY | 5530 83RD ST LOS ANGELES, CA 90045 |
| 8C | METRO ACQUISITION | O & M FACILITY SITE B | 68,943 | F | 4127 | 24 | 1 | INDUSTRIAL DEVELOPERS | 5500 83RD ST, LOS ANGELES CA 90045 |
| 8D | METRO ACQUISITION | O & M FACILITY SITE B | 36,440 | F | 4127 | 25 | 5 | GLASSER ERNEST AND MARILYN TRS | 8300 HINDRY AVE LOS ANGELES, CA 90045 |
| 8E | METRO ACQUISITION | O & M FACILITY SITE B | 36,440 | F | 4127 | 25 | 8 | MARKHAM, TERENCE B AND AQUDREY M | 5450 83RD ST LOS ANGELES, CA 90045 |
| 8F | METRO ACQUISITION | O & M FACILITY SITE B | 11,550 | F | 4127 | 25 | 10 | VIP IRON WORKS INC | 8319 HINDRY AVE LOS ANGELES, CA 90045 |
| 8G | METRO ACQUISITION | O & M FACILITY SITE B | 11,550 | F | 4127 | 25 | 11 | CAINE, CHARLES COMPANY INC | 8325 HINDRY AVE LOS ANGELES, CA 90045 |
| 8H | METRO ACQUISITION | O & M FACILITY SITE B | 8,208 | F | 4127 | 25 | 16 | BERNARDI, ANGELO | 8315 HINDRY AVE LOS ANGELES, CA 90045 |
| 8I | METRO ACQUISITION | O & M FACILITY SITE B | 19,960 | F | 4127 | 25 | 18 | PRICE, CARL F TRUSTEE | 5420 83RD ST LOS ANGELES, CA 90045 |
| 8J | METRO ACQUISITION | O & M FACILITY SITE B | 8,273 | F | 4127 | 25 | 19 | KENTWOOD PLAYERS INC | 8301 HINDRY AVE LOS ANGELES, CA 90045 |
| 8 | METRO ACQUISITION | BUSWAY AT GRADE / O & M FACILITY SITE B | 520/91,106 | F | 4127 | 25 | 21 | CITY OF LOS ANGELES DEPT. OF WATER & POWER | 8331 ISIS AVE, LOS ANGELES, CA 90045 |
| 9 | METRO ACQUISITION | BUSWAY AT GRADE / O & M FACILITY SITE B | 1,460/39,444 | F | 4127 | 25 | 13 | VOGEL, RONALD J AND SANDRA J TRS RJ AND SJ VOGEL | 8335 HINDRY AVE, LOS ANGELES, CA 90045 |
| 10 | METRO ACQUISITION | BUSWAY AT GRADE / O & M FACILITY SITE B | 1,765/32,100 | F | 4127 | 25 | 12 | MACFARLANE, JE AND DRUCILLE TRS MACFARLANE | 8330 HINDRY AVE, LOS ANGELES, CA 90045 |
| 11 | METRO ACQUISITION | BUSWAY AT GRADE / O & M FACILITY SITE B | 924/48,686 | F | 4127 | 25 | 20 | CATHCO PROPERTIES | 5300 W 83rd ST, LOS ANGELES, CA 90045 |
| 12 | METRO ACQUISITION | BUSWAY AERIAL / O & M FACILITY SITE B | 1,065/12,885 | F | 4127 | 25 | 2 | ABAJIAN, GEORGE AND VIRGINIA TRS ABAJIAN TRUST | 5200 W 83rd ST, LOS ANGELES, CA 90045 |
| 13 | METRO ACQUISITION | BUSWAY AERIAL / O & M FACILITY SITE B | 550*350 | F | 4127 | 25 | 1 | ABAJIAN, GEORGE AND VIRGINIA TRS ABAJIAN TRUST | NO ADDRESS AVAILABLE |
| 14 | METRO ACQUISITION | BUSWAY AT GRADE | 2,442 | P | | | | | |
| 15 | METRO ACQUISITION | BUSWAY AT GRADE | 1,883 | P | | | | | |
| 17 | METRO ACQUISITION | BUSWAY AT GRADE / BUSWAY AERIAL | 10,032 | P | 4020 | 5 | 6 | | |
| 18 | METRO ACQUISITION | BUSWAY AERIAL | 2,273 | P | 4020 | 21 | 3 | | |
| 18A | METRO ACQUISITION | BUSWAY AERIAL | 5,243 | P | 4020 | 21 | 11 | | |
| 20 | METRO ACQUISITION | BUSWAY AERIAL | 5,625 | P | 4016 | 30 | 1 | | |
| 21 | METRO ACQUISITION | BUSWAY AERIAL | 10,323 | P | 4016 | 30 | 14 | ACOSTA, JESUS | 25 N LA BREA AVE, INGLEWOOD, CA 90301 |
| 22 | METRO ACQUISITION | BUSWAY AERIAL / BUSWAY AT GRADE | 6,398 | P | 4015 | 18 | 7 | | |
| 23 | METRO ACQUISITION | BUSWAY AT GRADE | 1,562 | P | 4015 | 18 | 4 | | |
| 23A | METRO ACQUISITION | BUSWAY AT GRADE | 1,205 | P | 4015 | 18 | 5 | | |
| 23B | METRO ACQUISITION | BUSWAY AT GRADE | 270 | P | 4015 | 17 | 12 | | |
| 23C | METRO ACQUISITION | BUSWAY AT GRADE | 480 | P | 4015 | 17 | 13 | | |
| 24 | METRO ACQUISITION | RECONFIGURE STREET | 432 | P | 4015 | 16 | 25 | | |
| 25 | METRO ACQUISITION | BUSWAY AT GRADE | 9,770 | P | 4015 | 15 | 900 | | |
| 26 | METRO ACQUISITION | BUSWAY AT GRADE | 22,506 | P | 4013 | 8 | 901 | | |
| 27 | METRO ACQUISITION | BUSWAY AT GRADE | 547 | P | 4006 | 21 | 33 | | |
| 28 | METRO ACQUISITION | BUSWAY AT GRADE | 597 | P | 4006 | 21 | 38 | | |
| 29 | METRO ACQUISITION | BUSWAY AT GRADE | 269 | P | 4006 | 21 | 36 | | |
| 30 | METRO ACQUISITION | BUSWAY AT GRADE | 580 | P | 4006 | 23 | 21 | | |
| 30A | METRO ACQUISITION | BUSWAY AT GRADE | 716 | P | 4006 | 23 | 20 | | |
| 31 | METRO ACQUISITION | BUSWAY AT GRADE | 1,077 | P | 4006 | 24 | 29 | REININGER, BENJAMIN Z | 3410 W 67th ST, LOS ANGELES, CA 90043 |
| 32 | METRO ACQUISITION | BRT LANE | 50 | P | 4006 | 24 | 24 | REININGER, BEN | 6705 CRENSHAW BLVD, LOS ANGELES, CA 90043 |
| 33 | METRO ACQUISITION | O & M FACILITY SITE D | 1,045,440 | F | | | | | |

THE PREPARATION OF THIS DRAWING HAS BEEN FINANCED IN PART THROUGH A GRANT FROM THE U.S. DEPARTMENT OF TRANSPORTATION, FEDERAL TRANSIT ADMINISTRATION (FTA), UNDER THE FEDERAL TRANSIT ACT OF 1964, AS AMENDED, AND IN PART BY THE TAXES OF THE CITIZENS OF LOS ANGELES COUNTY AND OF THE STATE OF CALIFORNIA.

| REV | DATE | BY | APP | REG NO | EXPIRES | SEAL HOLDER | DESCRIPTION |
|-----|------|----|-----|--------|---------|-------------|-------------|
| | | | | | | | |

| | |
|-------------|--|
| DESIGNED BY | |
| DRAWN BY | |
| CHECKED BY | |
| IN CHARGE | |
| DATE | |

M Metro
LOS ANGELES COUNTY METROPOLITAN TRANSPORTATION AUTHORITY
Crenshaw Transit Corridor Project

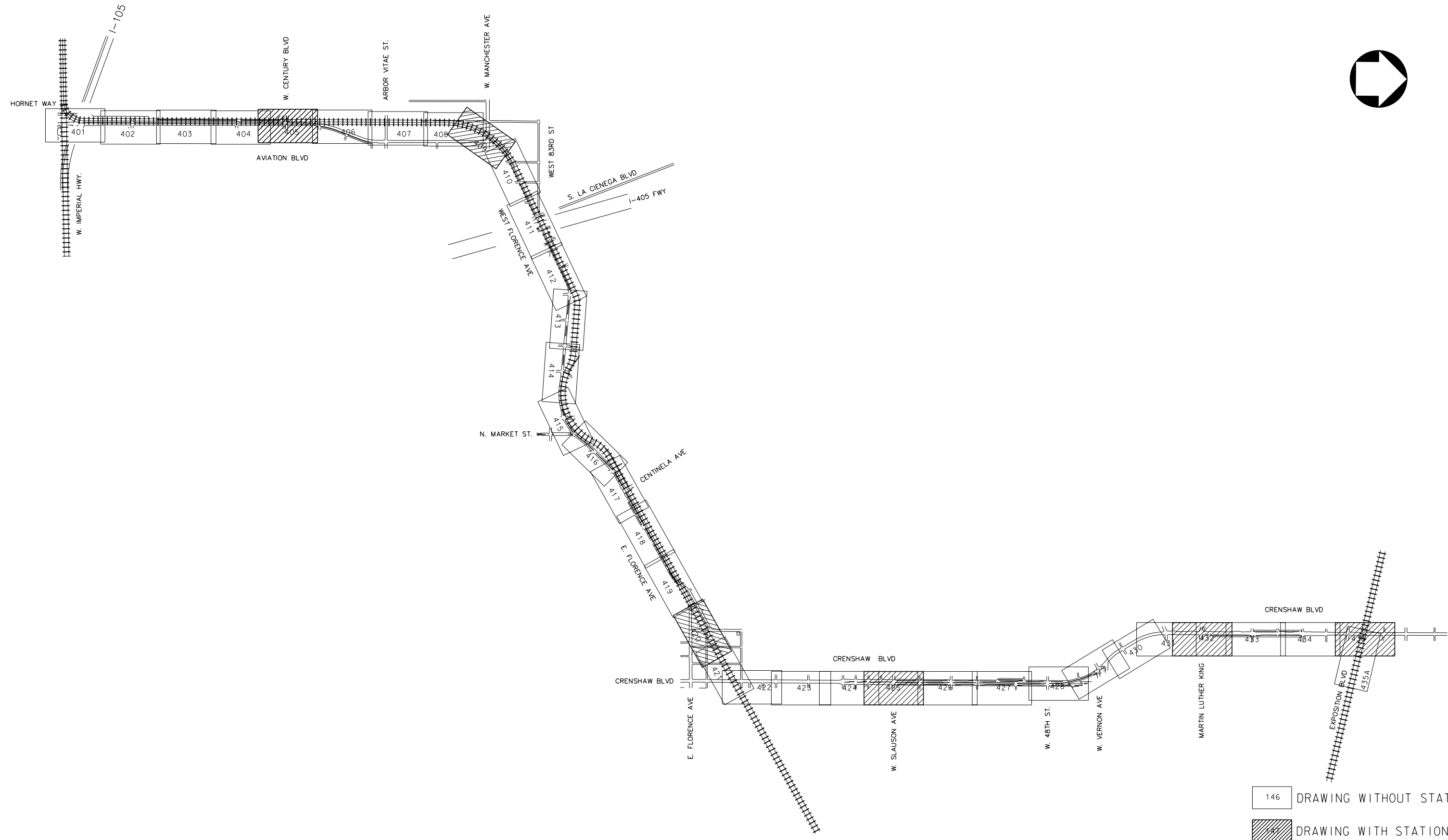
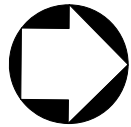
PB Parsons Brinckerhoff
 In Association with Jenkins Gales Martinez, Inc.

PROJECT MANAGER

BUS RAPID TRANSIT

CONTRACT NO PS-4330-1968
 DRAWING NO C-250 REV 0
 SCALE NO SCALE
 SHEET NO

RIGHT-OF-WAY INFORMATION



146 DRAWING WITHOUT STATION
 [Hatched Box] DRAWING WITH STATION

| | | | | | | |
|---|------|----|-----|--------|---------|-------------|
| THE PREPARATION OF THIS DRAWING HAS BEEN FINANCED IN PART THROUGH A GRANT FROM THE U.S. DEPARTMENT OF TRANSPORTATION, FEDERAL TRANSIT ADMINISTRATION (FTA), UNDER THE FEDERAL TRANSIT ACT OF 1964, AS AMENDED, AND IN PART BY THE TAXES OF THE CITIZENS OF LOS ANGELES COUNTY AND OF THE STATE OF CALIFORNIA. | | | | | | |
| REV | DATE | BY | APP | REG NO | EXPIRES | SEAL HOLDER |
| | | | | | | |
| | | | | | | |
| | | | | | | |
| | | | | | | |
| | | | | | | |

| | |
|-------------|--|
| DESIGNED BY | |
| DRAWN BY | |
| CHECKED BY | |
| IN CHARGE | |
| DATE | |

M Metro LOS ANGELES COUNTY METROPOLITAN TRANSPORTATION AUTHORITY
PB Parsons Brinckerhoff
 In Association with Jenkins Gales Martinez, Inc.
 PROJECT MANAGER

CONTRACT NO PS-4330-1968
 DRAWING NO C-400 REV 0
 SCALE NOT TO SCALE
 SHEET NO
 LIGHT RAIL TRANSIT BASE LRT ALTERNATIVE
 KEY MAP