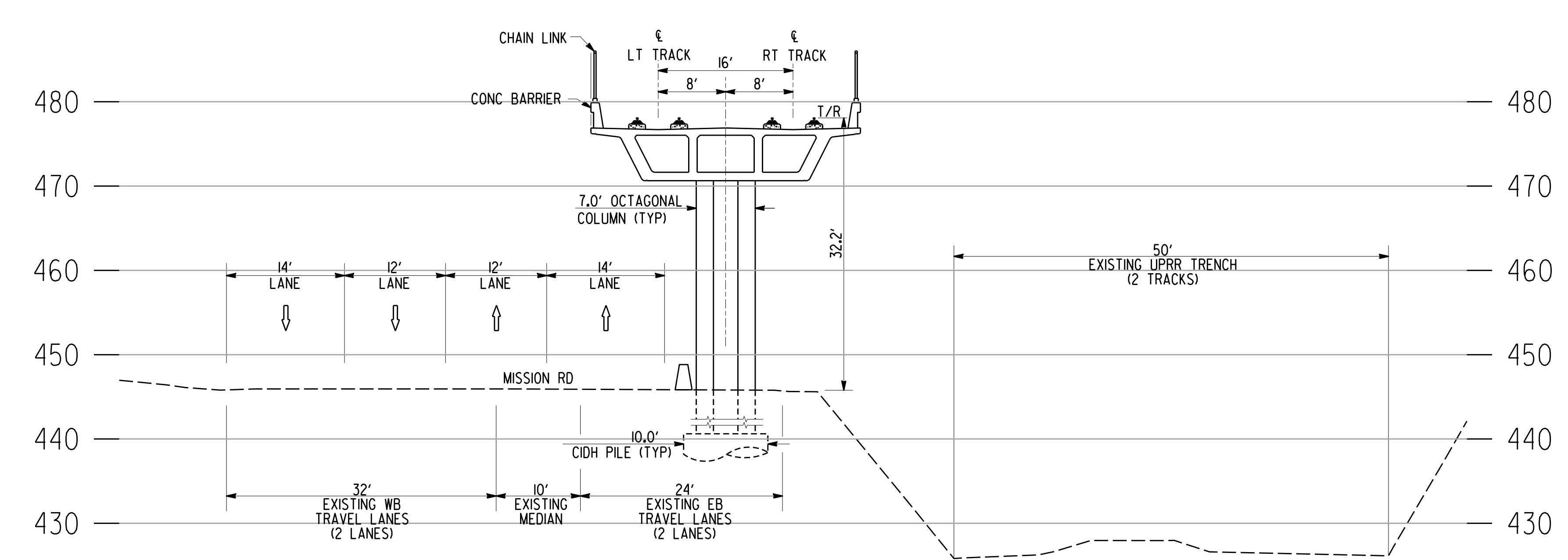
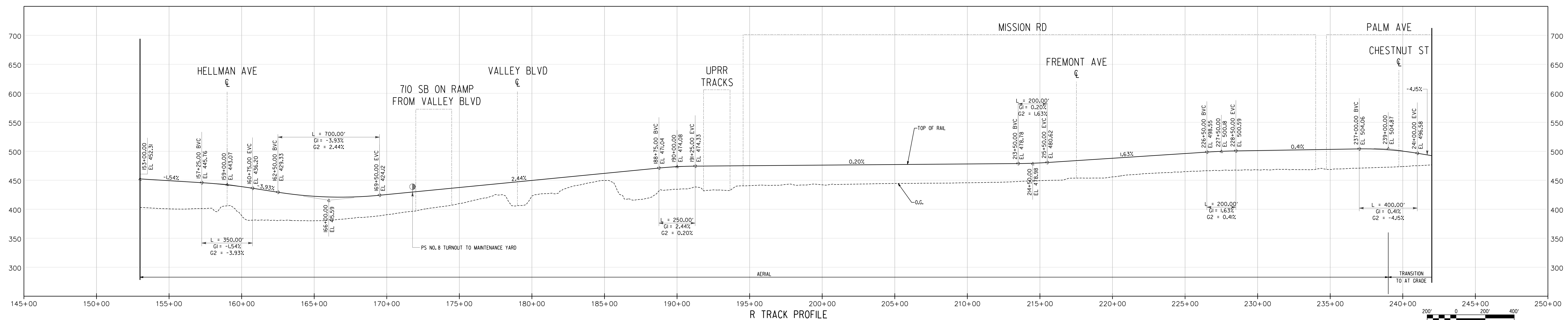


PLAN



SECTION @ STA 210+00



R TRACK PROFILE

Plot Drivers: \$PLTDRI\$
Pentabib: \$PENTABIB\$
\$USERS
\$SOLICES
\$SELEAS
\$TIMES

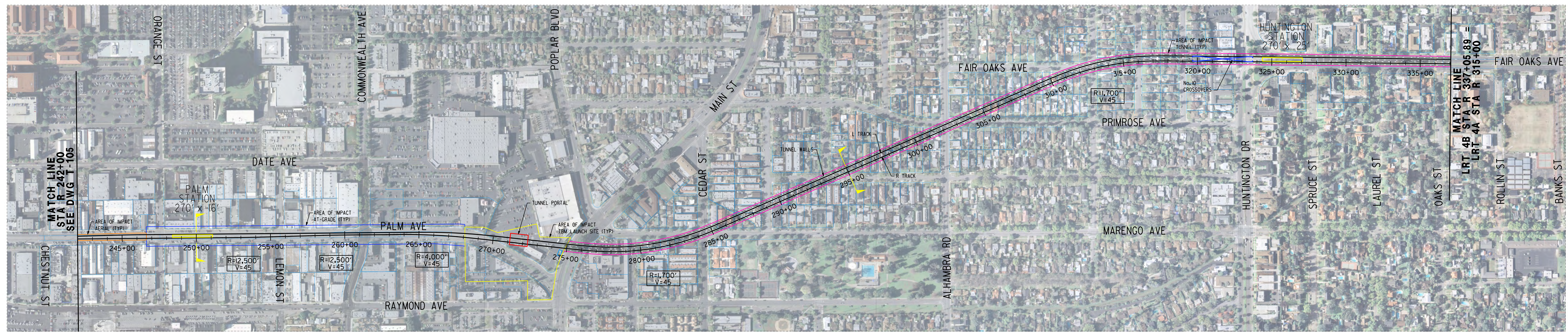
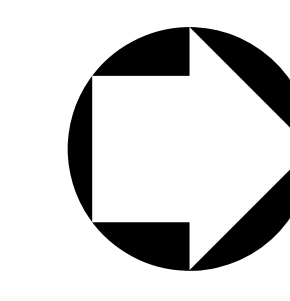
REV	DATE	BY	APP	REG NO	EXPIRES	SEAL HOLDER	DESCRIPTION

DESIGNED BY	
DRAWN BY	
CHECKED BY	
IN CHARGE	
DATE	

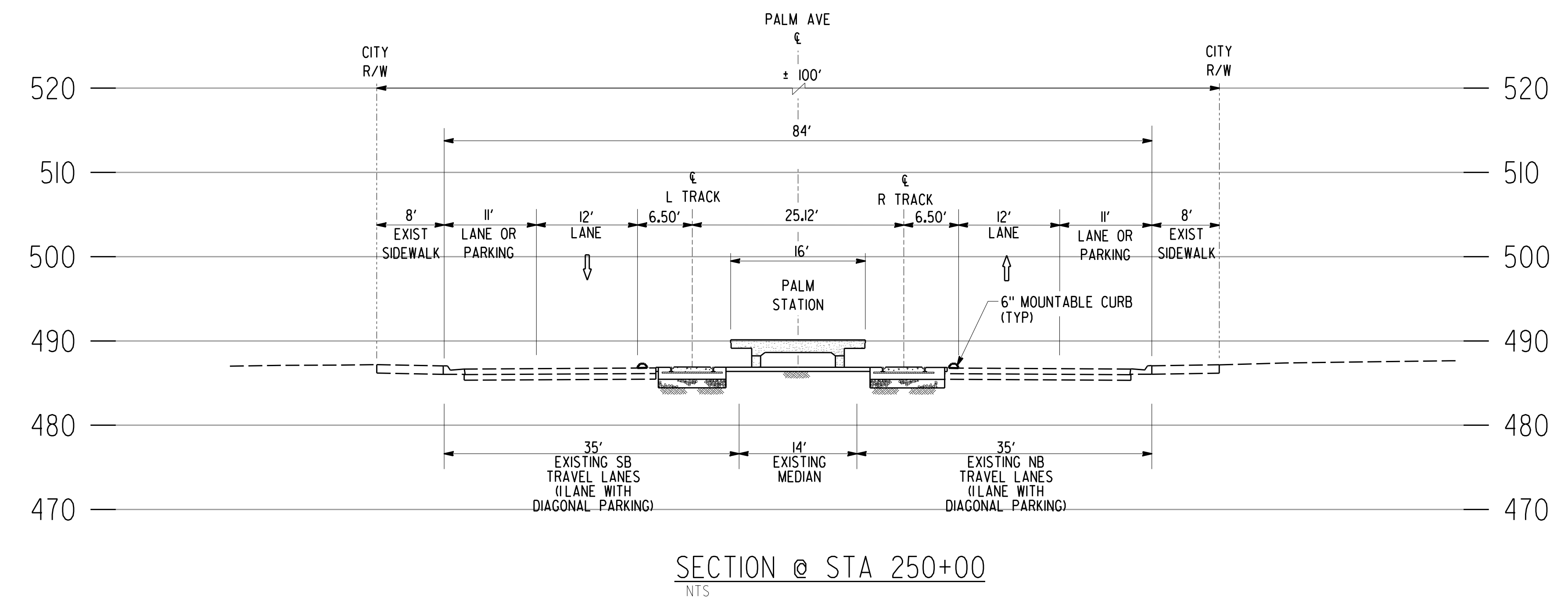
M Metro
 LOS ANGELES COUNTY METROPOLITAN TRANSPORTATION AUTHORITY
 50 S. FLOWER STREET 4TH FLOOR
 LOS ANGELES, CA 90071
 T 213-330-7200 F 213-330-7200

SR 710 STUDY
 CONCEPTUAL DESIGN
 ALTERNATIVE LRT 4B TRACK PLAN AND PROFILE
 STA R 153+00.00 TO STA R 242+00.00

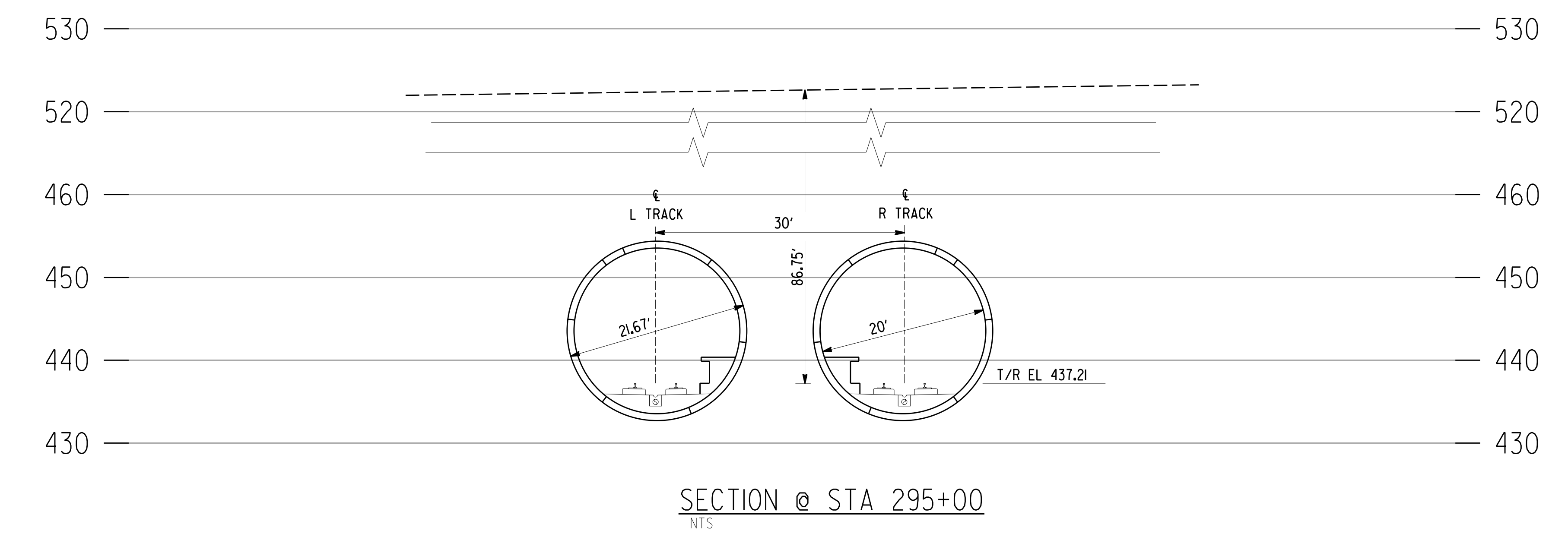
CONTRACT NO	PS4710-2755
DRAWING NO	T-105
SCALE	HORZ: 1" = 200'
SHEET NO	



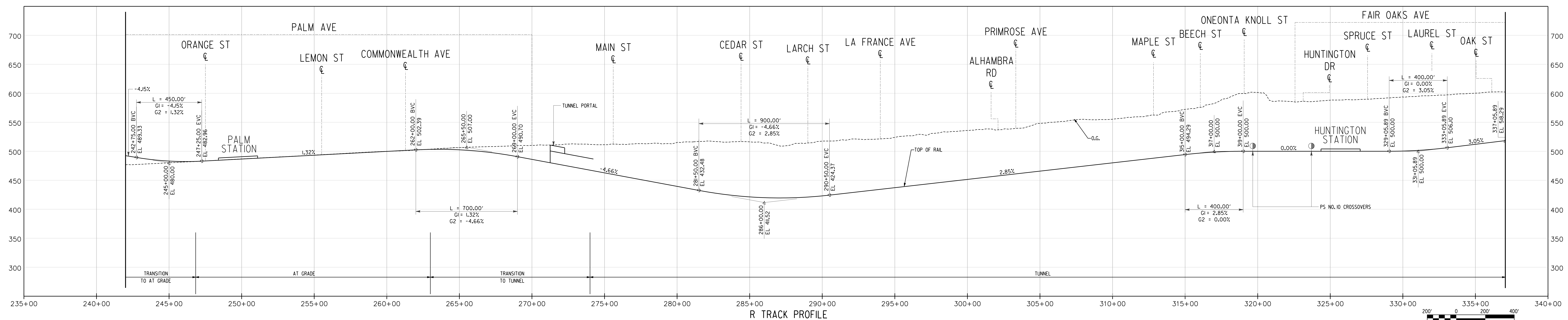
PLAN



SECTION @ STA 250+00



SECTION @ STA 295+00



R TRACK PROFILE

SHEETS: \$DATE\$
\$TIMES\$
\$USERS\$
\$PRINTED\$
\$PLOT\$

REV	DATE	BY	APP	REG NO	EXPIRES	SEAL HOLDER	DESCRIPTION

DESIGNED BY	
DRAWN BY	
CHECKED BY	
IN CHARGE	
DATE	

Metro LOS ANGELES COUNTY METROPOLITAN TRANSPORTATION AUTHORITY

505 S. FLOWER STREET
4TH FLOOR
LOS ANGELES, CA 90071
F 213-330-7200
F 213-330-7200

SUBMITTED: _____
APPROVED: _____

**SR 710 STUDY
CONCEPTUAL DESIGN**

**ALTERNATIVE LRT 4B TRACK PLAN AND PROFILE
STA R 240+00.00 TO STA R 337+05.89**

CONTRACT NO.	PS4710-2755
DRAWING NO.	T-106
SCALE	HORZ: 1" = 200'
SHEET NO.	